

150W DIMMABLE MAGNETIC 277V DRIVER

DR-150W-24VDC-DIM-277



Description

The 150 Watt Dimmable Magnetic 277V Driver is perfect for any commercial application where 277V is present. A push-to-reset breaker is included on the output for load protection. The drivers are encased in a NEMA-3R enclosure with two knock-outs, for a simple installation.



DIMMABLE

**24V
DC**

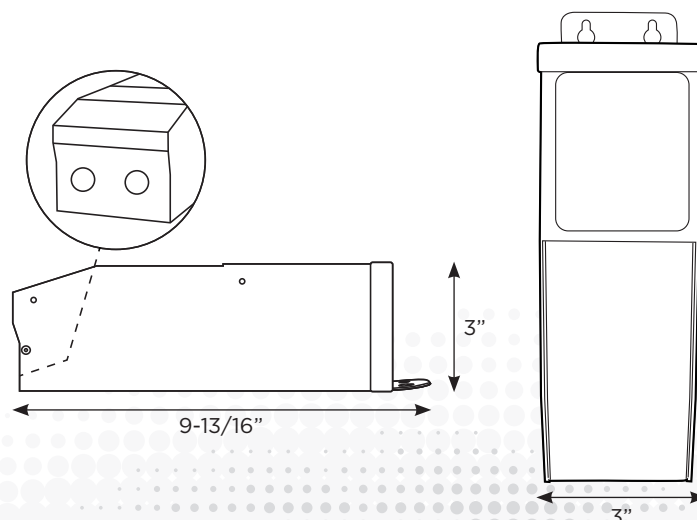


Specifications

Input Voltage	277V AC	Output Voltage Full Load	22.1V DC
Output Voltage	24V DC	Max Output Current	13.3 A
Max Load	150 Watts	Open Circuit Output Voltage	24.5V DC
Recommended Min. Load	105 Watts	Circuit Breaker	Primary & Secondary Manual Push-to-Reset
Absolute Min. Load	75 Watts	Dimensions LxWxH	9-13/16" x 3" x 3"
Max Ambient Temp. *	-22°F to 113°F (-30°C to 45°C)	Weight	87 oz.
Avg. Efficiency	80%	Ratings	ETL Listed, CSA, and NEMA-3R
Dimming	MLV **	Warranty	5 Year Limited
Input Current Full Load	1.95 A	*When installed with proper ventilation. **See our Dimmer Compatibility List for a complete list of compatible dimmers (pg. 2-3).	

Features

- Dimmable with most quality magnetic low voltage dimmers
- Push-to-reset breaker for load protection
- NEMA-3R enclosure for outdoor use
- Two knock-outs for simple installation
- ETL Listed
- CSA Listed



DIMMER COMPATIBILITY LIST

FOR DIMMABLE MAGNETIC LOW VOLTAGE DRIVERS



Lutron Dimmers

Lutron Aycl

153-PH

Lutron Ariadni

AYLV-600P

AYLV-600P-CSA

AYLV-600P-S

AYLV-603P

AYLV-603P-CSA

AYLV-603P-S

Lutron Diva

DVLV-103P

DVLV-603P

DVSVCLV-103P

DVSVCLV-603P

DVLV-103P-CSA

DVLV-603P-CSA

DVLV-103P-S

DVLV-603P-S

DVLV-103PH-S

DVLV-603PH-S

DVSVCLV-103P-L

DVSVCLV-603P-L

DVLV-10P

DVLV-600P

DVSVCLV-10P

DVSVCLV-600P

DVLV-10P-CSA

DVLV-10P-S

DVLV-10PH-S

DVSVCLV-10P-L

DVLV-603V

SC-1PS

SC-3PS

SC-4PS

SC-1PSNL

SC-3PSNL

SC-4PSNL

Lutron Nova

NTLV-600

NTLV-1000

NTLV-1500

NTLV-600-S

NTLV-1000-S

NTLV-1500-S

NTLV-603P

NTLV-1003P

NTLV-1503P

NTLV-2003P

NTLV-603P-CSA

NTLV-1003P-CSA

NTLV-1503P-CSA

NTLV-603P-S

NTLV-1003P-S

NTLV-1503P-S

NTLV-2003P-S

NT-1PS

NT-1PS-CSA

NT-1PS-S

NT-3PS

NT-3PS-CSA

NT-3PS-S

NT-4PS

NT-4PS-CSA

NT-4PS-S

Lutron Skylark

SLV-600P

SLV-600P-CSA

SLV-600PH-CSA

SLV-603P

SLV-603P-CSA

SLV-603PH-CSA

Lutron Lyneo

LXLV-103PL

LXLV-603PL

LXLV-10PL

LXLV-600PL

Lutron Vareo

V-600

V-1000

V-600-S

V-1000-S

VETN-1000

VETS-1000

VETS-1000-CSA

VETN-1000-S

VETS-1000-S

VETS-R

VETS-R-S

VETS-1000-SL

VETS-1000-SL-S

VETS-A-SL

VETS-A-SL-S

Lutron Nova T

NTLV-600

NTLV-600-277

NTLV-1000

NTLV-1000-277

NTLV-1500

Lutron Glyder

GLV-600

GLV-600-CSA

Lutron RadioRA2

RRD 10 ND

Lutron Ceana

CNLV-600P

CNLV-603P

Lutron Homeworks RF Maestro

HRD-6ND-XX 600 W Incandescent/MLV Neutral Wire Dimmer

HRD-10ND-XX 1000 W Incandescent/MLV Neutral Wire Dimmer

Lutron Maestro

NOTE: THE FOLLOWING LUTRON MAESTRO DIMMERS DO NOT WORK WITH THE DIMMABLE MLV DRIVERS:

MALV-600

MALV-1000

MSCLV-600M

MSCLV-1000M

MACL-153M

Legrand Dimmers

Legrand Wireless Universal

DRD4-W

DRD4-A

DRD4-B

DRD4-I

Legrand Pass & Seymore

HLV1103PW

CDLV1103PW

HLV703PTC

WSLV703PW

H703PTUTC

CDLV703PW

LSLV600PW

LSLV600W

Have questions about a dimmer not listed? Contact our design department at 832-717-2710 or designs@ledinspirations.com.

DIMMER COMPATIBILITY LIST

FOR DIMMABLE MAGNETIC LOW VOLTAGE DRIVERS



Leviton Dimmers

Leviton Mural

MDM06-1LI
MDM06-1LW
MDM06-1LA
MDM10-1LI
MDM10-1LW
MDM10-1LA

Leviton SureSlide

6613-PLT
6613-PLI
6613-PLW
6613-PLA

Leviton Illumatech

IPM06-1LZ
IPM06-1LX
IPM10-1LZ

Leviton ToggleTouch

TGM10-1LI
TGM10-1LA
TGM10-1LT

Leviton Vizia

VPM06-1LZ

Crestron Dimmers

Crestron Dimmers

CLS-C6(M)
CLS-EXP-DIM
CLS-EXP-DIMU
CLX-1DIM4
CLX-1DIM8
CLX-2DIM8
DIN-1DIM4
CLW-DIMSWEX
CLW-DIMSWCN
CLW-DIMEX
CLW-DIMCN
P-DIMEX
GLX-DIM6
GLXX-2DIM8

Control4 Dimmers

Control4 Dimmers

Control4 120V Wireless
Dimmer C4-DIMIZ

Vantage Control Dimmers

Vantage Control

SDM12-EM

Savant Systems Dimmers

Savant Systems

8 Channel Dimmer Module LMD-8120

Have questions about a dimmer not listed? Contact our design department at 832-717-2710 or designs@ledinspirations.com.