

# 150W MAGNETIC LOW VOLTAGE DIMMABLE DRIVER

DR-150W-24VDC-DIM



## Description

The 150W Magnetic Low Voltage Dimmable Driver is an excellent solution for residential applications. It is equipped with two auto-reset breakers, one on the input and one on the output, which protect both the load and driver. The driver is encased in a coated metal box that includes 2 knock-outs, one on each side, to enable easy installation that complies with electrical code requirements.



**DIMMABLE**

**24V DC**



## Specifications

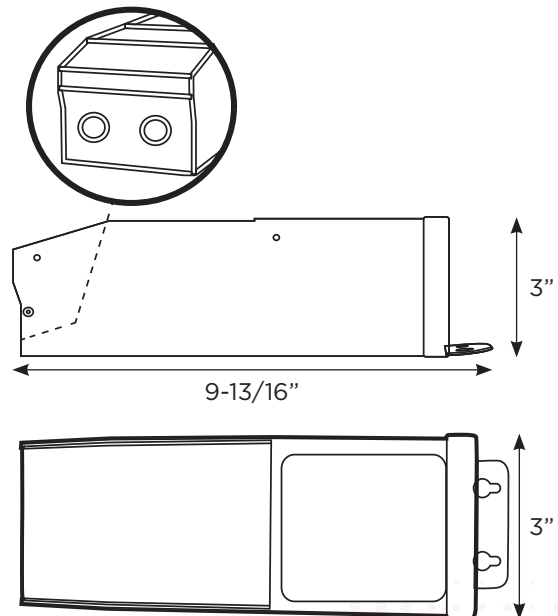
<b>Input Voltage</b>	120V AC	<b>Input Current Full Load</b>	1.95A
<b>Output Voltage</b>	24V DC	<b>Output Voltage Full Load</b>	22V DC
<b>Max Load</b>	150 Watts	<b>Max Output Current Full Load</b>	6.5A
<b>Absolute Min. Load</b>	75 Watts	<b>Open Circuit Output Voltage</b>	24.4V DC
<b>Max Operating Temp. *</b>	160°F (71.1°C)	<b>Dimensions LxWxH</b>	9-13/16" x 3" x 3"
<b>Avg. Efficiency</b>	85%	<b>Weight</b>	5 lbs. 7 oz.
<b>Dimming</b>	MLV **	<b>Ratings</b>	ETL Listed and NEMA-3R
<b>Circuit Breaker</b>	Primary & Secondary Auto-Reset	<b>Warranty</b>	5 Year Limited

\*When installed with proper ventilation.

\*\*See our Dimmer Compatibility List for a complete list of compatible dimmers (pg. 2-3).

## Features

- Dimmable with most quality magnetic low voltage dimmers
- Compact design
- NEMA-3R enclosure for outdoor use
- Two knock-outs for simple installation
- ETL Listed



# DIMMER COMPATIBILITY LIST

## FOR DIMMABLE MAGNETIC LOW VOLTAGE DRIVERS



### Lutron Dimmers

**Lutron Aycl**

153-PH

**Lutron Ariadni**

AYLV-600P

AYLV-600P-CSA

AYLV-600P-S

AYLV-603P

AYLV-603P-CSA

AYLV-603P-S

**Lutron Diva**

DVLV-103P

DVLV-603P

DVSVCLV-103P

DVSVCLV-603P

DVLV-103P-CSA

DVLV-603P-CSA

DVLV-103P-S

DVLV-603P-S

DVLV-103PH-S

DVLV-603PH-S

DVSVCLV-103P-L

DVSVCLV-603P-L

DVLV-10P

DVLV-600P

DVSVCLV-10P

DVSVCLV-600P

DVLV-10P-CSA

DVLV-10P-S

DVLV-10PH-S

DVSVCLV-10P-L

DVLV-603V

SC-1PS

SC-3PS

SC-4PS

SC-1PSNL

SC-3PSNL

SC-4PSNL

**Lutron Nova**

NTLV-600

NTLV-1000

NTLV-1500

NTLV-600-S

NTLV-1000-S

NTLV-1500-S

NTLV-603P

NTLV-1003P

NTLV-1503P

NTLV-2003P

NTLV-603P-CSA

NTLV-1003P-CSA

NTLV-1503P-CSA

NTLV-603P-S

NTLV-1003P-S

NTLV-1503P-S

NTLV-2003P-S

NT-1PS

NT-1PS-CSA

NT-1PS-S

NT-3PS

NT-3PS-CSA

NT-3PS-S

NT-4PS

NT-4PS-CSA

NT-4PS-S

**Lutron Skylark**

SLV-600P

SLV-600P-CSA

SLV-600PH-CSA

SLV-603P

SLV-603P-CSA

SLV-603PH-CSA

**Lutron Lyneo**

LXLV-103PL

LXLV-603PL

LXLV-10PL

LXLV-600PL

**Lutron Vareo**

V-600

V-1000

V-600-S

V-1000-S

VETN-1000

VETS-1000

VETS-1000-CSA

VETN-1000-S

VETS-1000-S

VETS-R

VETS-R-S

VETS-1000-SL

VETS-1000-SL-S

VETS-A-SL

VETS-A-SL-S

**Lutron Nova T**

NTLV-600

NTLV-600-277

NTLV-1000

NTLV-1000-277

NTLV-1500

**Lutron Glyder**

GLV-600

GLV-600-CSA

**Lutron RadioRA2**

RRD 10 ND

**Lutron Ceana**

CNLV-600P

CNLV-603P

**Lutron Homeworks RF Maestro**

HRD-6ND-XX 600 W Incandescent/MLV Neutral Wire Dimmer

HRD-10ND-XX 1000 W Incandescent/MLV Neutral Wire Dimmer

**Lutron Maestro**

**NOTE: THE FOLLOWING LUTRON MAESTRO DIMMERS DO NOT WORK WITH THE DIMMABLE MLV DRIVERS:**

MALV-600

MALV-1000

MSCLV-600M

MSCLV-1000M

MACL-153M

### Legrand Dimmers

**Legrand Wireless Universal**

DRD4-W

DRD4-A

DRD4-B

DRD4-I

**Legrand Pass & Seymore**

HLV1103PW

CDLV1103PW

HLV703PTC

WSLV703PW

H703PTUTC

CDLV703PW

LSLV600PW

LSLV600W

Have questions about a dimmer not listed? Contact our design department at 832-717-2710 or [designs@ledinspirations.com](mailto:designs@ledinspirations.com).

# DIMMER COMPATIBILITY LIST

## FOR DIMMABLE MAGNETIC LOW VOLTAGE DRIVERS



### Leviton Dimmers

#### **Leviton Mural**

MDM06-1LI  
MDM06-1LW  
MDM06-1LA  
MDM10-1LI  
MDM10-1LW  
MDM10-1LA

#### **Leviton SureSlide**

6613-PLT  
6613-PLI  
6613-PLW  
6613-PLA

#### **Leviton Illumatech**

IPM06-1LZ  
IPM06-1LX  
IPM10-1LZ

#### **Leviton ToggleTouch**

TGM10-1LI  
TGM10-1LA  
TGM10-1LT

#### **Leviton Vizia**

VPM06-1LZ

### Crestron Dimmers

#### **Crestron Dimmers**

CLS-C6(M)  
CLS-EXP-DIM  
CLS-EXP-DIMU  
CLX-1DIM4  
CLX-1DIM8  
CLX-2DIM8  
DIN-1DIM4  
CLW-DIMSWEX  
CLW-DIMSWCN  
CLW-DIMEX  
CLW-DIMCN  
P-DIMEX  
GLX-DIM6  
GLXX-2DIM8

### Control4 Dimmers

#### **Control4 Dimmers**

Control4 120V Wireless  
Dimmer C4-DIMIZ

### Vantage Control Dimmers

#### **Vantage Control**

SDM12-EM

### Savant Systems Dimmers

#### **Savant Systems**

8 Channel Dimmer Module LMD-8120

Have questions about a dimmer not listed? Contact our design department at 832-717-2710 or [designs@ledinspirations.com](mailto:designs@ledinspirations.com).