

320W ELECTRONIC 0-10V DIMMABLE DRIVER

DR-320W-24VDC-U-1-10-W



Description

The 320 Watt Electronic 1-10V Dimmable Driver is the perfect solution for any commercial application requiring a dimmable, 120-277V AC driver. It is encased in a compact, metal housing, and is UL Recognized in both the United States and Canada.



1-10V
DIMMABLE

24V
DC

cUL[®]
US

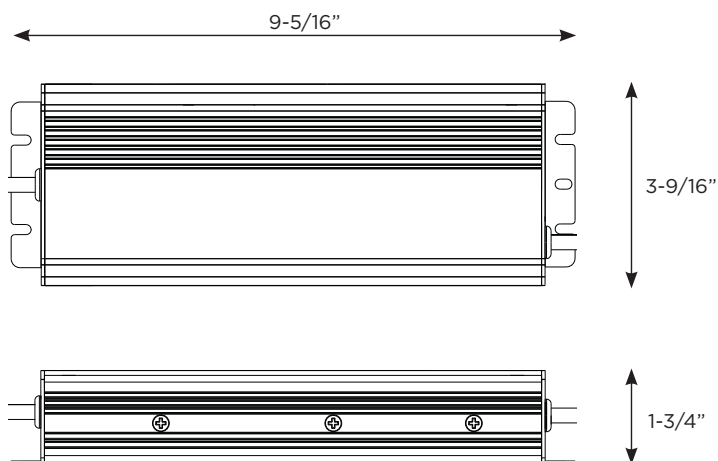
Specifications

Input Voltage	90-305V AC (47/63Hz)	Avg. Efficiency	94%
Output Voltage	24V DC	Lead Lengths	Input & Output = 11-13/16"
Max Load	320 Watts	Dimensions LxWxH	9-5/16" x 3-9/16" x 1-3/4"
Input Current	3.5A @ 115V 1.45A @ 277V	Weight	66 oz.
Output Current	13.34 A	Ratings	UL Recognized, CE, and IP67
Operating Temp. *	-40°F to 158°F (-40°C to 70°C)	Warranty	5 Year Limited

*When installed with proper ventilation.

Features

- UL and cUL Recognized
- Overload Protection
- Open/Short Circuit Protection
- Compact, Metal Housing



032517