

# 40W DIMMABLE MAGNETIC 277V DRIVER

DR-40W-24VDC-DIM-277



## Description

The 40 Watt Dimmable Magnetic 277V Driver is perfect for any commercial application where 277V is present. A push-to-reset breaker is included on the output for load protection. The drivers are encased in a NEMA-3R enclosure with two knock-outs, for a simple installation.



**DIMMABLE**

24V  
DC

Class  
2

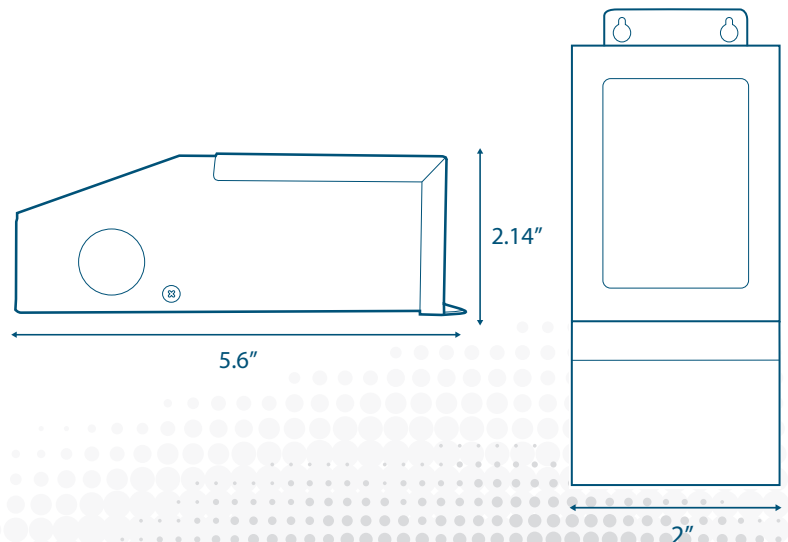


## Specifications

<b>Input Voltage</b>	277V AC	<b>Output Voltage Full Load</b>	21.1V DC
<b>Output Voltage</b>	24V DC	<b>Max Output Current</b>	1.72 A
<b>Max Load</b>	40 Watts	<b>Open Circuit Output Voltage</b>	24.3V DC
<b>Recommended Min. Load</b>	28 Watts	<b>Circuit Breaker</b>	Secondary Manual Push-to-Reset
<b>Absolute Min. Load</b>	20 Watts	<b>Dimensions LxWxH</b>	5.6" x 2" x 2.14"
<b>Max Ambient Temp. *</b>	-22°F to 113°F (-30°C to 45°C)	<b>Weight</b>	35 oz.
<b>Avg. Efficiency</b>	80%	<b>Ratings</b>	ETL Listed, Class 2, CSA, and NEMA-3R
<b>Dimming</b>	MLV **	<b>Warranty</b>	5 Year Limited
<b>Input Current Full Load</b>	410 mA	*When installed with proper ventilation. **See our Dimmer Compatibility List for a complete list of compatible dimmers (pg. 2-3).	

## Features

- Dimmable with most quality magnetic low voltage dimmers
- Push-to-reset breaker for load protection
- NEMA-3R enclosure for outdoor use
- Two knock-outs for simple installation
- Class 2 compliant
- ETL Listed
- CSA Listed



# DIMMER COMPATIBILITY LIST

## FOR DIMMABLE MAGNETIC LOW VOLTAGE DRIVERS



### Lutron Dimmers

#### Lutron Aycl

153-PH

#### Lutron Ariadni

AYLV-600P

AYLV-600P-CSA

AYLV-600P-S

AYLV-603P

AYLV-603P-CSA

AYLV-603P-S

#### Lutron Diva

DVLV-103P

DVLV-603P

DVSLV-103P

DVSLV-603P

DVLV-103P-CSA

DVLV-603P-CSA

DVLV-103P-S

DVLV-603P-S

DVLV-103PH-S

DVLV-603PH-S

DVSLV-103P-L

DVSLV-603P-L

DVLV-10P

DVLV-600P

DVSLV-10P

DVSLV-600P

DVLV-10P-CSA

DVLV-10P-S

DVLV-10PH-S

DVSLV-10P-L

DVLV-603V

SC-1PS

SC-3PS

SC-4PS

SC-1PSNL

SC-3PSNL

SC-4PSNL

#### Lutron Nova

NTLV-600

NTLV-1000

NTLV-1500

NTLV-600-S

NTLV-1000-S

NTLV-1500-S

NTLV-603P

NTLV-1003P

NTLV-1503P

NTLV-2003P

NTLV-603P-CSA

NTLV-1003P-CSA

NTLV-1503P-CSA

NTLV-603P-S

NTLV-1003P-S

NTLV-1503P-S

NTLV-2003P-S

NT-1PS

NT-1PS-CSA

NT-1PS-S

NT-3PS

NT-3PS-CSA

NT-3PS-S

NT-4PS

NT-4PS-CSA

NT-4PS-S

#### Lutron Skylark

SLV-600P

SLV-600P-CSA

SLV-600PH-CSA

SLV-603P

SLV-603P-CSA

SLV-603PH-CSA

#### Lutron Lyneo

LXLV-103PL

LXLV-603PL

LXLV-10PL

LXLV-600PL

#### Lutron Vareo

V-600

V-1000

V-600-S

V-1000-S

VETN-1000

VETS-1000

VETS-1000-CSA

VETN-1000-S

VETS-1000-S

VETS-R

VETS-R-S

VETS-1000-SL

VETS-1000-SL-S

VETS-A-SL

VETS-A-SL-S

#### Lutron Nova T

NTLV-600

NTLV-600-277

NTLV-1000

NTLV-1000-277

NTLV-1500

#### Lutron Glyder

GLV-600

GLV-600-CSA

#### Lutron RadioRA2

RRD 10 ND

#### Lutron Ceana

CNLV-600P

CNLV-603P

#### Lutron Homeworks RF Maestro

HRD-6ND-XX 600 W Incandescent/MLV Neutral Wire Dimmer

HRD-10ND-XX 1000 W Incandescent/MLV Neutral Wire Dimmer

#### Lutron Maestro

**NOTE: THE FOLLOWING LUTRON MAESTRO DIMMERS DO NOT WORK WITH THE DIMMABLE MLV DRIVERS:**

MALV-600

MALV-1000

MSCLV-600M

MSCLV-1000M

MACL-153M

### Legrand Dimmers

#### Legrand Wireless Universal

DRD4-W

DRD4-A

DRD4-B

DRD4-I

#### Legrand Pass & Seymore

HLV1103PW

CDLV1103PW

HLV703PTC

WSLV703PW

H703PTUTC

CDLV703PW

LSLV600PW

LSLV600W

Have questions about a dimmer not listed? Contact our design department at 832-717-2710 or [designs@ledinspirations.com](mailto:designs@ledinspirations.com).

# DIMMER COMPATIBILITY LIST

## FOR DIMMABLE MAGNETIC LOW VOLTAGE DRIVERS



### Leviton Dimmers

#### Leviton Mural

MDM06-1LI  
MDM06-1LW  
MDM06-1LA  
MDM10-1LI  
MDM10-1LW  
MDM10-1LA

#### Leviton SureSlide

6613-PLT  
6613-PLI  
6613-PLW  
6613-PLA

#### Leviton Illumatech

IPM06-1LZ  
IPM06-1LX  
IPM10-1LZ

#### Leviton ToggleTouch

TGM10-1LI  
TGM10-1LA  
TGM10-1LT

#### Leviton Vizia

VPM06-1LZ

### Crestron Dimmers

#### Crestron Dimmers

CLS-C6(M)  
CLS-EXP-DIM  
CLS-EXP-DIMU  
CLX-1DIM4  
CLX-1DIM8  
CLX-2DIM8  
DIN-1DIM4  
CLW-DIMSWEX  
CLW-DIMSWCN  
CLW-DIMEX  
CLW-DIMCN  
P-DIMEX  
GLX-DIM6  
GLXX-2DIM8

### Control4 Dimmers

#### Control4 Dimmers

Control4 120V Wireless  
Dimmer C4-DIMIZ

### Vantage Control Dimmers

#### Vantage Control

SDM12-EM

### Savant Systems Dimmers

#### Savant Systems

8 Channel Dimmer Module LMD-8120

Have questions about a dimmer not listed? Contact our design department at 832-717-2710 or [designs@ledinspirations.com](mailto:designs@ledinspirations.com).