



Installation Instructions

for the **Low Voltage Junction Box**



#JBOX-1

Parts Needed

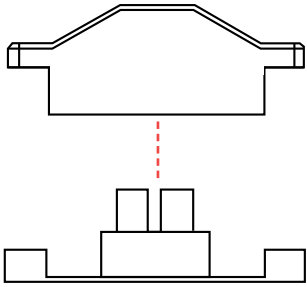
x1 or More Hardwire Connectors*
x1 Low Voltage 2-Conductor Wire (14AWG or smaller)*
x4 Lid Screws (Included)
x2 Mounting Screws (Included)

Tools Needed

x1 Mini Flathead Screwdriver
x1 Mini Phillips Head Screwdriver
x1 Wire Strippers

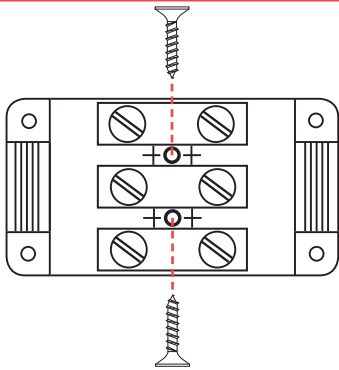
*Items sold separately.

IMPORTANT! ENSURE ALL AC POWER HAS BEEN SHUT OFF BEFORE PERFORMING THIS INSTALLATION!



1

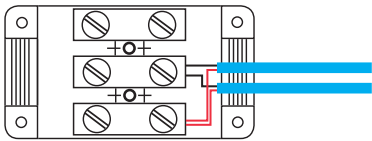
Remove the lid covering the terminal block.



2

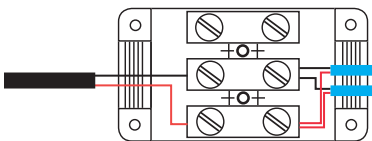
Position where you would like your Low Voltage Junction Box. Using the two mounting screws included, screw down the Low Voltage Junction Box to the surface using a mini Phillips head screwdriver.

Tip: Screw down hard to permanently mount the Low Voltage Junction Box.



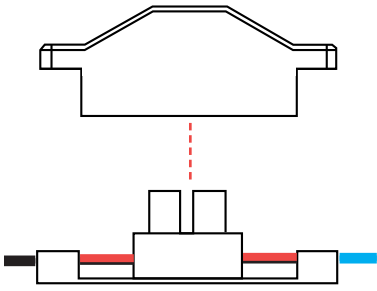
3

Using stripped wires, feed the positive (+) wire of your Hardwire Connector(s) to one of the available terminals. Then, feed the negative (-) wire of your Hardwire Connector(s) to one of the remaining terminals. Screw down each terminal with a mini flathead screwdriver to secure the wires.

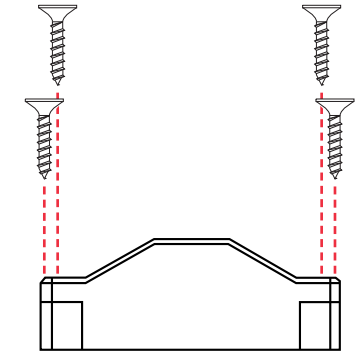


4

Using stripped wires, feed the positive (+) wire of your low voltage 2-conductor wire to the opposite terminal of your positive (+) Hardwire Connector wire. Then, feed the negative (-) wire of your low voltage 2-conductor wire to the opposite terminal of your negative (-) Hardwire Connector wire. Screw down the terminal with a mini flathead screwdriver to secure the wires.



5 Place the lid back on to cover the terminal block.



6 Using the four lid screws, screw down the lid at each corner using a mini Phillips head screwdriver.

ATTENTION

1. This product should be installed and serviced by a trained professional.
2. This product is NOT waterproof and is intended for an indoor and dry environment only.
3. Please ensure all output voltages comply with the working voltage of this product.
4. Please ensure the appropriately sized wire is used from the Low Voltage Junction Box to other compatible components.
5. Please do not attempt any modifications or repairs on this product. If a replacement unit is needed, please contact LEDI at (832) 717-2710.
6. This product has a 5 year limited warranty from the purchase date.

Complete System Wiring Diagram

for the **Low Voltage Junction Box**

