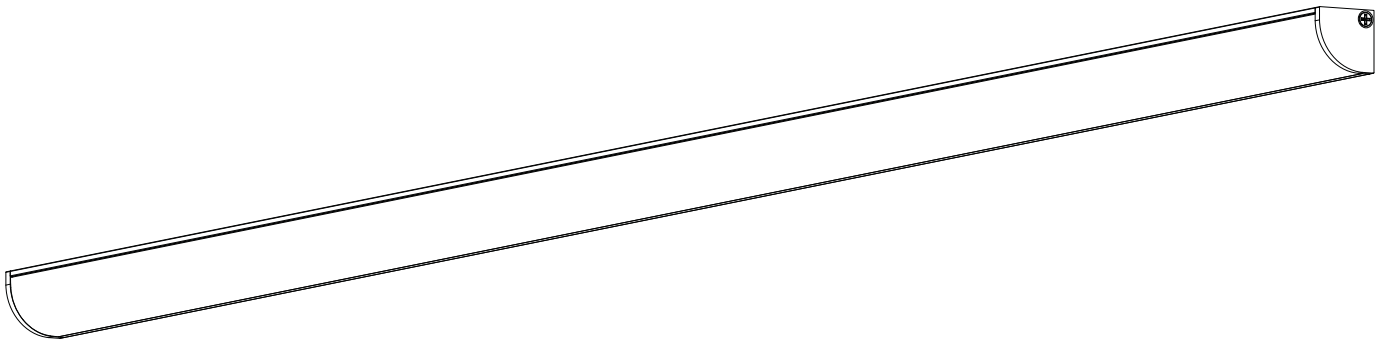


# QUANTUM 2 ANGLED 0606C

## Installation Instructions

#CH-A-0606C-KIT  
#CH-A-0606C-2FT  
#CH-A-0606C-4FT  
#CH-A-0606C-6FT  
#CH-A-0606C-8FT  
Custom #CH-A-0606C



### Sections:

- Pg. 2 Fixture Kit Channel Preparation
- Pg. 5 Surface Mount Installation

Version 3



# QUANTUM 2 ANGLED 0606C

## Fixture Kit Channel Preparation

### Cutting Instructions

Please note: If you've purchased either a Standard Fixture or Custom Fixture, please skip to page 5 for surface mount installation instructions.

#### Tools Needed

- Miter Saw/Chop Saw
- Saw blade rated for aluminum (96-tooth-blade or higher recommended)
- Painters or Masking Tape
- Drill Bit: ¼"
- Tape Measure (or long ruler)
- Marker/Pen/Pencil
- Safety Glasses
- Recommended: Work Apron/Long Sleeve shirt
- Canned Air/Air Compressor
- Fine Tip (#1) Phillips Screwdriver or Bit
- Optional: Fine File (#2 or #4 recommended) or De-Burring Tool

#### Parts Needed

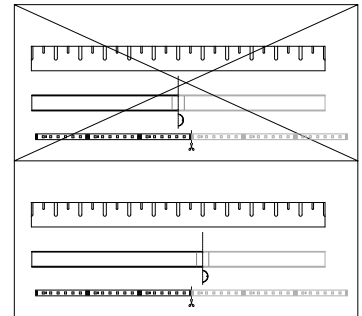
- #CH-A-0606C-KIT
- CH-A-0606C Aluminum Channel
- Diffuser Lens
- Tape Light
- End Caps

#### Important!

- Wear safety glasses while cutting Quantum Channel!
- Have a question? Give us a call at 832-717-2710 or e-mail us at [designs@ledinspirations.com](mailto:designs@ledinspirations.com).

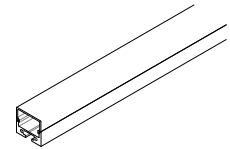
## 1 Determine Length to Cut

The LED tape light that comes with the CH-A-0606C-KIT has a cut length of 2-<sup>13</sup>/<sub>16</sub>". To ensure that there are no dark spots or shadows at the ends, the channel cut length should be in increments of 2-<sup>13</sup>/<sub>16</sub>", plus about <sup>3</sup>/<sub>8</sub>" to account for the wire exit. See the Cut Chart on page 4 for cut increments.



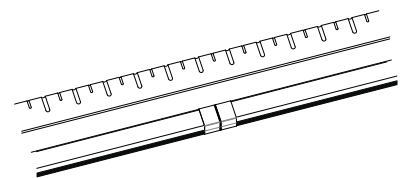
## 2 Prepare Lens for Cutting

Insert and snap the plastic lens flush with the end of the channel.



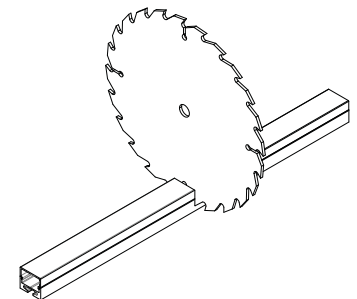
## 3 Measure, Tape, and Mark

Measure out the length you want to cut. Wrap both the channel and lens with masking/painters tape to hold them firmly together and protect them from scratching from the saw blade. Mark on top of the tape where you want to make your cut.



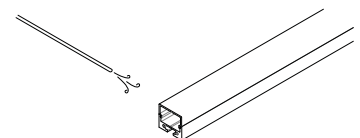
## 4 Cutting

Use a saw blade rated for aluminum, 96-tooth or higher recommended. Cut to the OUTSIDE of the mark. This will ensure the width of the sawblade does not subtract from the desired length. Cut slowly and evenly to ensure a clean cut. You may need to de-bur some edges with a file or de-burring tool.



## 5 Clean-Up

Use canned air or an air compressor to clear away the aluminum shavings from inside the channel.

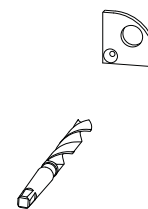


# QUANTUM 2 ANGLED 0606C

## Fixture Kit Channel Preparation Cont.

### 6 Drill hole for Wire

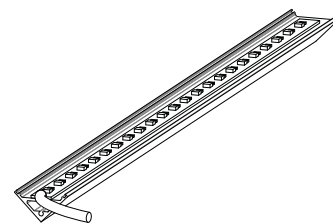
Drill a 1/4" hole in the End Cap for the low voltage wire to exit.



### 7 Install Quantum High Density LED Tape Light

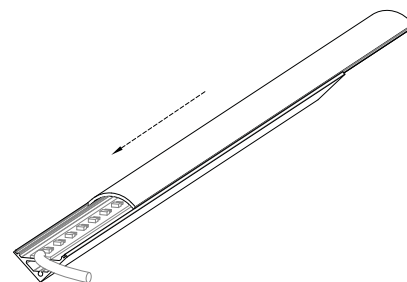
Peel off the adhesive on the back of the LED tape light and stick it down inside the channel, centering the tape light with the channel.

**CAUTION!** THE SOLDER POINTS SHOULD **NOT** MAKE CONTACT WITH THE ALUMINUM OF THE QUANTUM CHANNEL.



### 8 Install Diffuser Lens

Slide in the diffuser lens

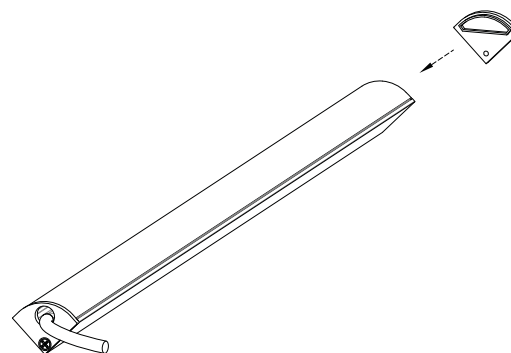


### 9 Install End Caps

Using the End Cap screws, install the End Caps on each end of the channel.

Feed the crystal clear wire on the LED tape light through the 1/4" hole.

**Pro Tip!** Use a fine-tip (#1) phillips screwdriver or bit to avoid stripping the small screws used with the end caps.



# QUANTUM 2 ANGLED 0606C

## Cut Chart

The chart below shows optimized cut lengths that will allow the tape light to completely fill the channel and ensure no dark spots or shadows.

Overall Length	Cut Aluminum Length	Cut Lens Length	Cut LED Tape Light Length
0' 3-11/32"	0' 3-3/16"	0' 3-3/16"	0' 2-13/16"
0' 6-5/32"	0' 6"	0' 6"	0' 5-5/8"
0' 8-31/32"	0' 8-13/16"	0' 8-13/16"	0' 8-7/16"
0' 11-25/32"	0' 11-5/8"	0' 11-5/8"	0' 11-1/4"
1' 2-19/32"	1' 2-7/16"	1' 2-7/16"	1' 2-1/16"
1' 5-13/32"	1' 5-1/4"	1' 5-1/4"	1' 4-7/8"
1' 8-7/32"	1' 8-1/16"	1' 8-1/16"	1' 7-11/16"
1' 11-1/32"	1' 10-27/32"	1' 10-27/32"	1' 10-15/32"
2' 1-27/32"	2' 1-21/32"	2' 1-21/32"	2' 1-9/32"
2' 4-21/32"	2' 4-15/32"	2' 4-15/32"	2' 4-3/32"
2' 7-15/32"	2' 7-9/32"	2' 7-9/32"	2' 6-29/32"
2' 10-1/4"	2' 10-3/32"	2' 10-3/32"	2' 9-23/32"
3' 1-1/16"	3' 0-29/32"	3' 0-29/32"	3' 0-17/32"
3' 3-7/8"	3' 3-23/32"	3' 3-23/32"	3' 3-11/32"
3' 6-11/16"	3' 6-17/32"	3' 6-17/32"	3' 6-5/32"
3' 9-1/2"	3' 9-11/32"	3' 9-11/32"	3' 8-31/32"
4' 0-5/16"	4' 0-5/32"	4' 0-5/32"	3' 11-25/32"
4' 3-1/8"	4' 2-31/32"	4' 2-31/32"	4' 2-19/32"
4' 5-15/16"	4' 5-25/32"	4' 5-25/32"	4' 5-13/32"
4' 8-3/4"	4' 8-19/32"	4' 8-19/32"	4' 8-7/32"
4' 11-9/16"	4' 11-13/32"	4' 11-13/32"	4' 11-1/32"
5' 2-3/8"	5' 2-7/32"	5' 2-7/32"	5' 1-27/32"
5' 5-3/16"	5' 5"	5' 5"	5' 4-5/8"
5' 8"	5' 7-13/16"	5' 7-13/16"	5' 7-7/16"
5' 10-13/16"	5' 10-5/8"	5' 10-5/8"	5' 10-1/4"
6' 1-5/8"	6' 1-7/16"	6' 1-7/16"	6' 1-1/16"
6' 4-13/32"	6' 4-1/4"	6' 4-1/4"	6' 3-7/8"
6' 7-7/32"	6' 7-1/16"	6' 7-1/16"	6' 6-11/16"
6' 10-1/32"	6' 9-7/8"	6' 9-7/8"	6' 9-1/2"
7' 0-27/32"	7' 0-11/16"	7' 0-11/16"	7' 0-5/16"
7' 3-21/32"	7' 3-1/2"	7' 3-1/2"	7' 3-1/8"
7' 6-15/32"	7' 6-5/16"	7' 6-5/16"	7' 5-15/16"
7' 9-9/32"	7' 9-1/8"	7' 9-1/8"	7' 8-3/4"
8' 0-3/32"	7' 11-15/16"	7' 11-15/16"	7' 11-9/16"



Magenta = Channel  
 Cyan = End Caps  
 Green = Tape Light  
 Yellow = Lens  
 Red = Low Voltage Wire

# QUANTUM 2 ANGLED 0606C

## Surface Mount Installation

**Please Note: If you purchased a Quantum 2 Fixture Kit (unassembled channel), see the Fixture Kit Channel Preparation section before beginning.**

### Tools Needed

- Power Drill
- Pen/Pencil
- Drill Bits -  $\frac{3}{32}$ "
- Ruler/Straight Edge
- Wire Nuts/Butt Splices
- Wire Stripper
- Phillips Screwdriver or Bit
- Optional: Crimper (for Butt Splices)

### Parts Needed

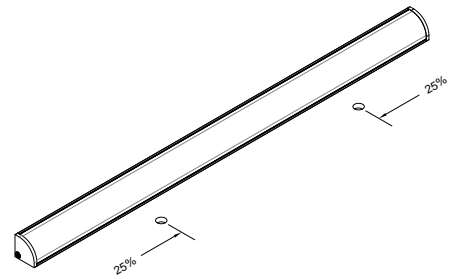
- Assembled Channel
- 24v DC Driver
- Mounting Clips (included)

### IMPORTANT!

- Turn power **OFF** before installation!
- Longer channels will require two people to install.
- Have a question? Give us a call at 832-717-2710 or e-mail us at [designs@ledinspirations.com](mailto:designs@ledinspirations.com).

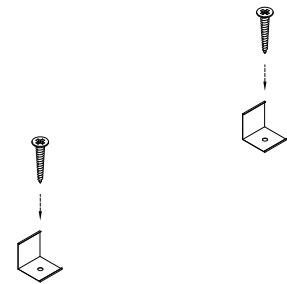
## 1 Mark and Drill Holes for Surface Mount Clips

To decide where to drill, come in 25% from each end of the overall length of the channel and mark the locations for the two surface mount clips. Example: For an 8' fixture, drill holes 2' in from each end of the channel. Drill each hole using a  $\frac{3}{32}$ " drill bit.



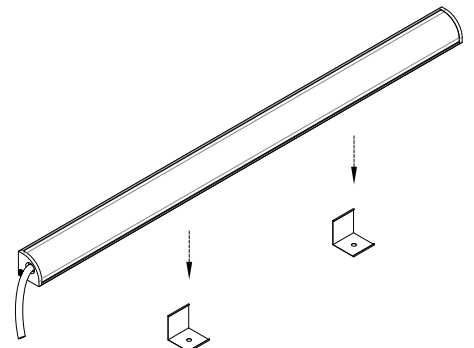
## 2 Install Surface Mount Clips

Screw in both surface mount clips into the  $\frac{3}{32}$ " holes.



## 3 Snap Quantum Channel onto Surface Mount Clips

Press and snap the Quantum Channel onto the surface mount clips.



# QUANTUM 2 ANGLED 0606C

## Surface Mount Installation Cont.

### 4 Run Low Voltage Wire to the 24v DC Driver

If the 24v DC driver is within 9-10 feet of the channel:

The Quantum High Density Tape Light comes with 10 feet of crystal clear wire that can be wired directly to the driver.

If the 24v DC driver is 10 feet or further from the channel:

Use at least 18 AWG low voltage wire to extend the 10 foot crystal clear wire. Wire the low voltage crystal clear wire into the 24v DC driver.

If the 24v DC driver is more than 30 feet away from the channel:

Please contact our Design Department at 832-717-2710 or [designs@ledinspirations.com](mailto:designs@ledinspirations.com) so we may recommend the correct wire size to use.

**PRO TIP! The positive (hot) wire is marked with a white line on the crystal clear wire.**

