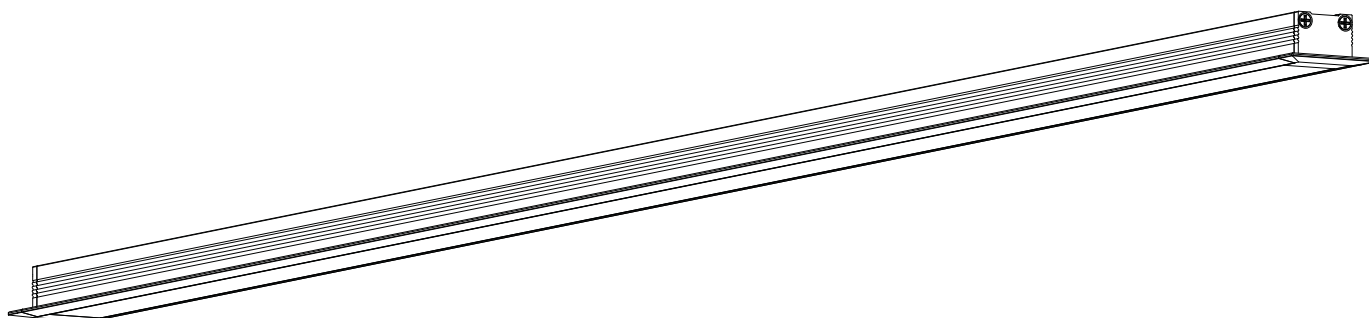


Quantum 2 RECESSED 1005

Installation Instructions

#CH-R-1005-KIT
#CH-R-1005-2FT
#CH-R-1005-4FT
#CH-R-1005-6FT
#CH-R-1005-8FT
Custom #CH-R-1005



Sections:

- Pg. 2 Fixture Kit Channel Preparation
- Pg. 7 Recessed Mount Installation

Version 3



Quantum 2 RECESSED 1005

Fixture Kit Channel Preparation

Cutting Instructions

Please note: If you've purchased either a Standard Fixture or Custom Fixture, please skip to page 7 for installation instructions.

Tools Needed

- Miter Saw/Chop Saw
- Saw blade rated for aluminum (96-tooth-blade or higher recommended)
- Painters or Masking Tape
- Drill Bit: 1/4"
- Tape Measure (or long ruler)
- Marker/Pen/Pencil
- Safety Glasses
- Recommended: Work Apron/Long Sleeve shirt
- Canned Air/Air Compressor
- Fine Tip (#1) Phillips Screwdriver or Bit
- Optional: Fine File (#2 or #4 recommended) or De-Burring Tool
- Optional Drill Bit: 5/16"

Parts Needed

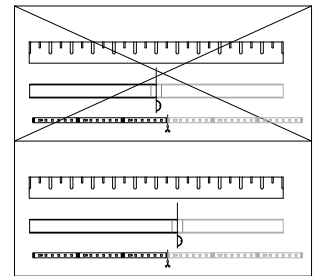
- #CH-R-1005-KIT
- CH-R-1005 Aluminum Channel
- Diffuser Lens
- Tape Light
- End Caps
- Grommet (optional)

IMPORTANT!

- Always wear safety glasses while cutting Quantum Channel!
- Have a question? Give us a call at 832-717-2710 or e-mail us at designs@ledinspirations.com.

1 Determine Length to Cut

The LED tape light that comes with the CH-R-1005-KIT has a cut length of 2-13/16". To ensure that there are no dark spots or shadows at the ends, the channel cut length should be in increments of 2-13/16", plus about 3/8", to account for the wire exit.

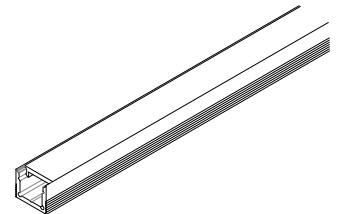


NOTE: SEE THE CUT CHART ON PAGE 6 FOR CUT INCREMENTS.

2 Prepare Lens for Cutting

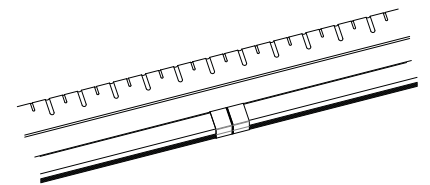
Insert and snap the plastic lens into the channel 7/16" from the end of the channel. The End Caps for the CH-R-1005 each have a tab that extends 7/32" into the channel and must be accounted for on both ends of the channel.

Pro Tip! When butting two pieces together, cut the lens flush on the joining ends. You only need to account for the 7/32" tab on the ends receiving End Caps.



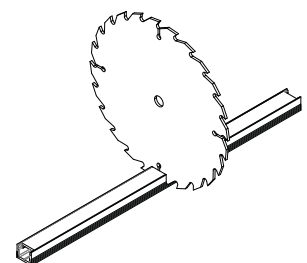
3 Measure, Tape, and Mark

Measure out your desired cut length. Wrap both the channel and lens with masking/painters tape to hold them firmly together and protect them from scratching from the saw blade. Mark on top of the tape where you want to make your cut.



4 Cutting

Use a saw blade rated for aluminum, 96-tooth or higher recommended. Cut to the OUTSIDE of the mark. This will ensure the width of the sawblade does not subtract from the desired length. Cut slowly and evenly to ensure a clean cut. You may need to de-bur some edges with a file or de-burring tool.



Quantum 2 RECESSED 1005

Fixture Kit Channel Preparation Cont.

Drilling Instructions

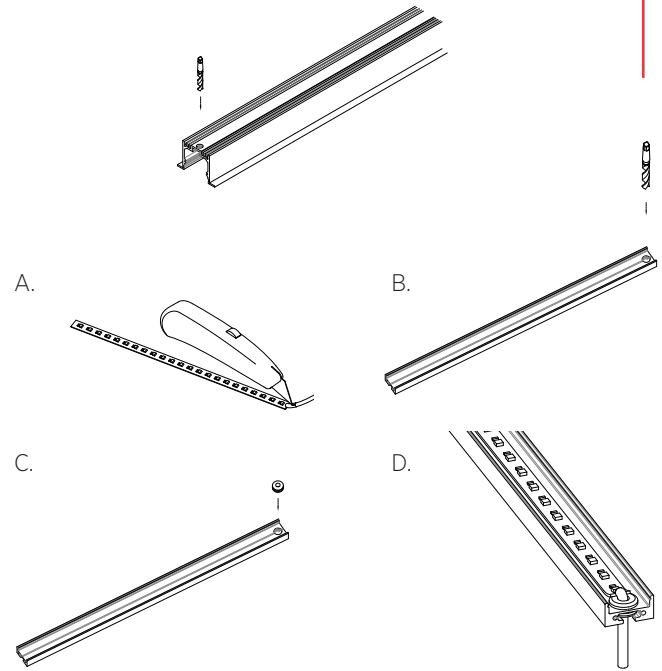
5 Drill Hole for wire

The low voltage wire may exit through either the End Cap or back of channel. Drill a 1/4" hole in the End Cap OR back of channel for the low voltage wire to exit.

OPTIONAL: For a more professional installation, a grommet may be used in place of the heat shrink tubing to protect the wire exiting the channel. See below for instructions on installing grommets.

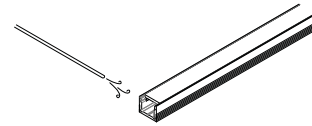
- Using a utility knife, carefully remove heat shrink tubing where wire is soldered to tape light.
- Drill a 5/16" hole centered 1/4"-5/16" from edge of channel completely through the back and inside of the channel.
- Insert grommets into both holes.
- Lay tape light over grommet and feed wire through grommets. Tape light should sit up on the grommet slightly.

CAUTION! THE SOLDER POINTS SHOULD NOT MAKE CONTACT WITH THE ALUMINUM OF THE QUANTUM CHANNEL.



6 Clean-Up

Use canned air or an air compressor to clear away the aluminum shavings from inside the channel.



Adapter Plate Mounting Instructions

Tools Needed

- Power Drill
- Phillips Drive Bits
- 3/16" Drill Bit
- 3/8" Countersink

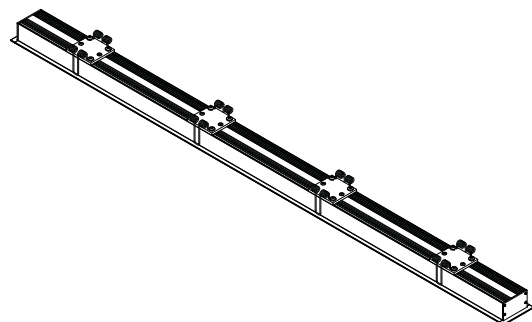
Parts Needed

- #CH-MOUNT-R-1005
- Plate (x1)
- Butterfly Spring (x2)
- Flathead Phillips Mach. Screw (x3)
- Nuts for Phillips Mach. Screw (x3)
- Truss Head Screw (x3)

7 Adapter Plate Spacing

There is one plate for every pair of springs.
There should be a plate 4" to 6" from each end.
All Adapter Plates should be spaced evenly when installing.
See below for the total number of springs needed:

Channel Length	QTY. of Spring Pairs
<1'	1 Pair of Springs
1'-3'	2 Pair of Springs
3'-5'	3 Pair of Springs
5'-7'	4 Pair of Springs
7'-8'	5 Pair of Springs



Quantum 2 RECESSED 1005

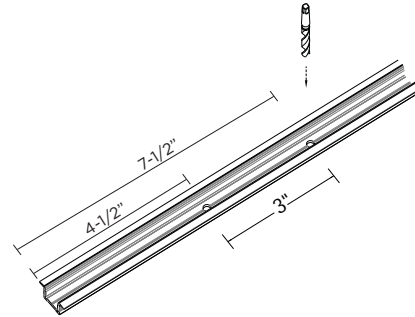
Fixture Kit Channel Preparation Cont.

Adapter Plate Mounting Instructions Cont.

8 Pilot Holes for Adapter Plate

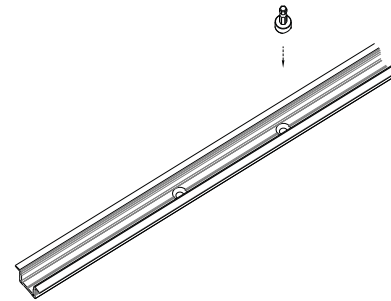
Drill two (2) $\frac{3}{16}$ " holes, spaced 3" apart, to mount the Adapter Plate. The first hole should be 4 $\frac{1}{2}$ " from the end of the channel. The second hole should be 7 $\frac{1}{2}$ " from the end of the channel.

This will allow for the spring to sit 6" from the end of the channel.



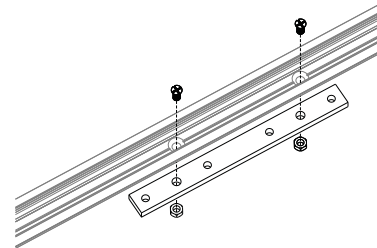
9 Countersink Holes

Use a $\frac{3}{16}$ " countersink bit to counter sink the holes on the inside the channel. This allows the tape light to mount flush after the screws are installed.



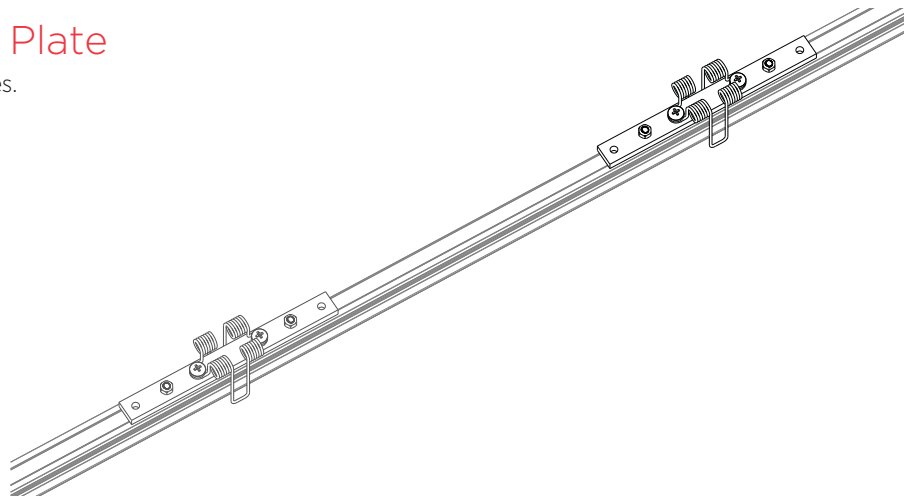
10 Attach Adapter Plate

Use the flat head machine screws and nuts to attach the adapter plate to the back of the channel.



11 Attach Next Adapter Plate

Repeat steps 7-10 for the remaining plates.



Quantum 2 RECESSED 1005

Fixture Kit Channel Preparation Cont.

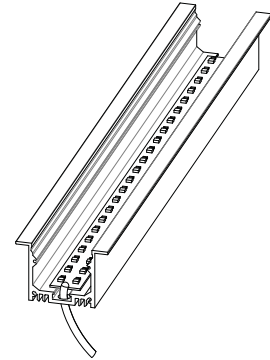
Tape Light, Lens, and End Cap Installation

12 Install Quantum High Density LED Tape Light

Feed the crystal clear wire on the LED tape light through the ¼" hole.
(If you installed a grommet, lay the tape light over the grommet and feed the wire through the grommet.
The tape light should sit up on the grommet slightly.)

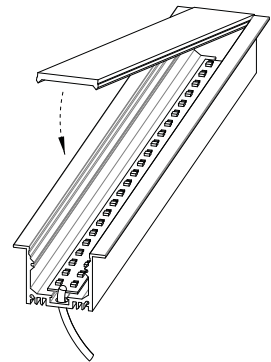
CAUTION! THE SOLDER POINTS SHOULD **NOT** MAKE CONTACT WITH THE ALUMINUM OF THE QUANTUM CHANNEL.

Peel off the adhesive on the back of the LED tape light and stick it down inside the channel, centered as well as possible.



13 Install Diffuser Lens

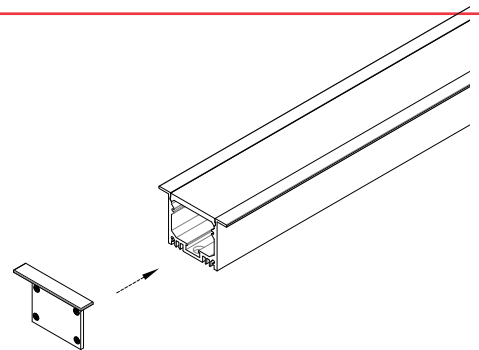
Press and snap, or slide in the diffuser lens.



14 Install End Caps

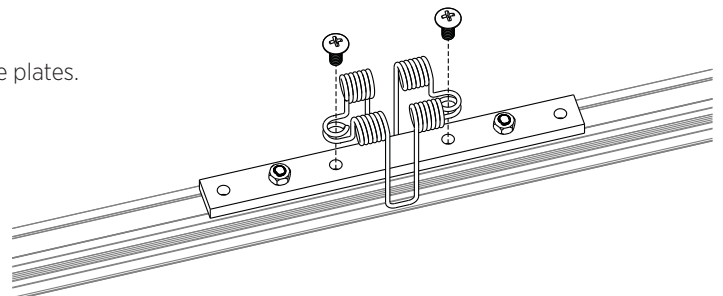
Screw on the end caps to both ends of the channel.

Pro Tip! Use a #1 (fine-tip) Phillips bit to avoid stripping the small screws used with the end caps.



15 Attach Springs

Use the Truss Head screws to attach the butterfly springs to the plates.



Quantum 2 RECESSED 1005

Cut Chart

The chart below shows optimized cut lengths that will allow the tape light to completely fill the channel and ensure no dark spots or shadows.

Overall Length	Cut Aluminum Length	Cut Lens Length	Cut LED Tape Light Length	Installation Groove LENGTH for Recessed Channel	Installation Groove WIDTH for Recessed Channel
0' 3-21/32"	0' 3-3/16"	0' 2-23/32"	0' 2-13/16"	0' 3-5/16"	0' 0-5/8"
0' 6-15/32"	0' 5-1/1"	0' 5-17/32"	0' 5-5/8"	0' 6-1/8"	0' 0-5/8"
0' 9-9/32"	0' 8-13/16"	0' 8-11/32"	0' 8-7/16"	0' 8-15/16"	0' 0-5/8"
1' 0-3/32"	0' 11-5/8"	0' 11-5/32"	0' 11-1/4"	0' 11-3/4"	0' 0-5/8"
1' 2-29/32"	1' 2-7/16"	1' 1-31/32"	1' 2-1/16"	1' 2-9/16"	0' 0-5/8"
1' 5-23/32"	1' 5-1/4"	1' 4-25/32"	1' 4-7/8"	1' 5-3/8"	0' 0-5/8"
1' 8-17/32"	1' 8-1/16"	1' 7-9/16"	1' 7-11/16"	1' 8-3/16"	0' 0-5/8"
1' 11-11/32"	1' 10-27/32"	1' 10-3/8"	1' 10-15/32"	1' 10-31/32"	0' 0-5/8"
2' 2-5/32"	2' 1-21/32"	2' 1-3/16"	2' 1-9/32"	2' 1-25/32"	0' 0-5/8"
2' 4-15/16"	2' 4-15/32"	2' 4"	2' 4-3/32"	2' 4-19/32"	0' 0-5/8"
2' 7-3/4"	2' 7-9/32"	2' 6-13/16"	2' 6-29/32"	2' 7-13/32"	0' 0-5/8"
2' 10-9/16"	2' 10-3/32"	2' 9-5/8"	2' 9-23/32"	2' 10-7/32"	0' 0-5/8"
3' 1-3/8"	3' 0-29/32"	3' 0-7/16"	3' 0-17/32"	3' 1-1/32"	0' 0-5/8"
3' 4-3/16"	3' 3-23/32"	3' 3-1/4"	3' 3-11/32"	3' 3-27/32"	0' 0-5/8"
3' 7"	3' 6-17/32"	3' 6-1/16"	3' 6-5/32"	3' 6-21/32"	0' 0-5/8"
3' 9-13/16"	3' 9-11/32"	3' 8-7/8"	3' 8-31/32"	3' 9-15/32"	0' 0-5/8"
4' 0-5/8"	4' 0-5/32"	3' 11-11/16"	3' 11-25/32"	4' 0-9/32"	0' 0-5/8"
4' 3-7/16"	4' 2-31/32"	4' 2-1/2"	4' 2-19/32"	4' 3-3/32"	0' 0-5/8"
4' 6-1/4"	4' 5-25/32"	4' 5-5/16"	4' 5-13/32"	4' 5-29/32"	0' 0-5/8"
4' 9-1/16"	4' 8-19/32"	4' 8-1/8"	4' 8-7/32"	4' 8-23/32"	0' 0-5/8"
4' 11-7/8"	4' 11-13/32"	4' 10-15/16"	4' 11-1/32"	4' 11-17/32"	0' 0-5/8"
5' 2-11/16"	5' 2-7/32"	5' 1-23/32"	5' 1-27/32"	5' 2-11/32"	0' 0-5/8"
5' 5-1/2"	5' 5"	5' 4-17/32"	5' 4-5/8"	5' 5-1/8"	0' 0-5/8"
5' 8-5/16"	5' 7-13/16"	5' 7-11/32"	5' 7-7/16"	5' 7-15/16"	0' 0-5/8"
5' 11-3/32"	5' 10-5/8"	5' 10-5/32"	5' 10-1/4"	5' 10-3/4"	0' 0-5/8"
6' 1-29/32"	6' 1-7/16"	6' 0-31/32"	6' 1-1/16"	6' 1-9/16"	0' 0-5/8"
6' 4-23/32"	6' 4-1/4"	6' 3-25/32"	6' 3-7/8"	6' 4-3/8"	0' 0-5/8"
6' 7-17/32"	6' 7-1/16"	6' 6-19/32"	6' 6-11/16"	6' 7-3/16"	0' 0-5/8"
6' 10-11/32"	6' 9-7/8"	6' 9-13/32"	6' 9-1/2"	6' 10"	0' 0-5/8"
7' 1-5/32"	7' 0-11/16"	7' 0-7/32"	7' 0-5/16"	7' 0-13/16"	0' 0-5/8"
7' 3-31/32"	7' 3-1/2"	7' 3-1/32"	7' 3-1/8"	7' 3-5/8"	0' 0-5/8"
7' 6-25/32"	7' 6-5/16"	7' 5-27/32"	7' 5-15/16"	7' 6-7/16"	0' 0-5/8"
7' 9-19/32"	7' 9-1/8"	7' 8-21/32"	7' 8-3/4"	7' 9-1/4"	0' 0-5/8"
8' 0-13/32"	7' 11-15/16"	7' 11-15/32"	7' 11-9/16"	8' 0-1/16"	0' 0-5/8"



Magenta = Channel
 Cyan = End Caps
 Green = Tape Light
 Yellow = Lens
 Red = Low Voltage Wire

Quantum 2 RECESSED 1005

Recessed Mount Installation

Parts Needed

- Mounting Plate
- Flat Head Machine Screw (x3)
- Machine Screw Nuts (x3)
- Butterfly Springs (x2)
- Truss Head Screw (x3)
- 24V DC Driver

Tools Needed

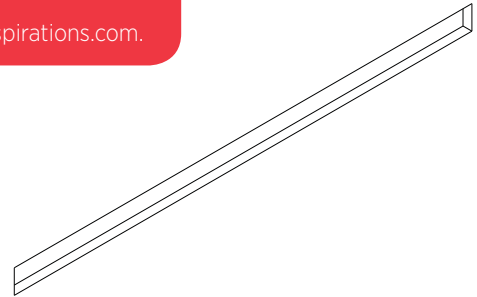
- Phillips Screwdriver
- Jigsaw or Drywall Saw

IMPORTANT!

- Turn power **OFF** before installation!
- Longer channels will require two people to install.
- Have a question? Give us a call at 832-717-2710 or e-mail us at designs@ledinspirations.com.

1 Cut a slot

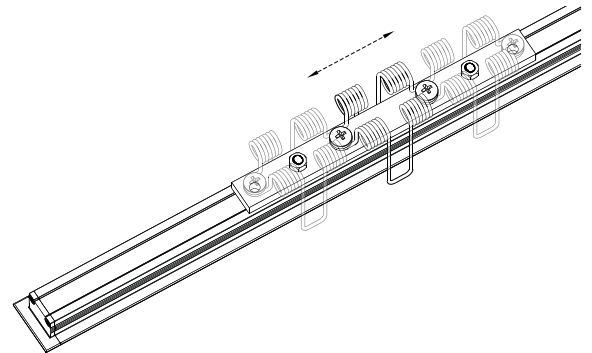
Cut a $\frac{5}{8}$ " wide slot into drywall or wood.



2 Checking for Obstacles Before Recessing Channel

If there are obstacles in the wall such as a stud or pipe that will be in the way of the spring, it can be moved to one side of the plate or the other.

NOTE: TO REMOUNT THE ADAPTER PLATE, REMOVE THE TRUSS HEAD SCREWS SECURING THE SPRINGS AND RE-POSITION THE SPRINGS TO THE ADJACENT MOUNTING HOLES.



3 Run Low Voltage Wire to the 24v DC Driver

If the 24v DC driver is within 9-10 feet of the channel:

The Quantum High Density Tape Light comes with 10 feet of crystal clear wire that can be wired directly to the driver.

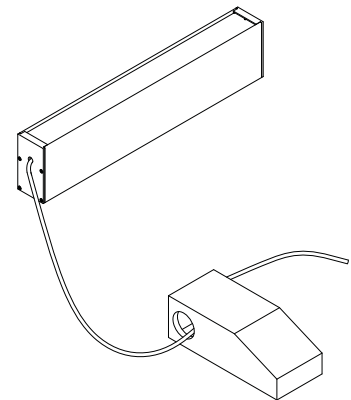
If the 24v DC driver is 10 feet or further from the channel:

Use at least 18 AWG low voltage wire to extend the 10 foot crystal clear wire. Wire the low voltage crystal clear wire into the 24v DC driver.

If the 24v DC driver is more than 30 feet away from the channel:

Please contact our Design Department at 832-717-2710 or designs@ledinspirations.com so we may recommend the correct wire size to use.

PRO TIP! The positive (hot) wire is marked with a white line on the crystal clear wire.



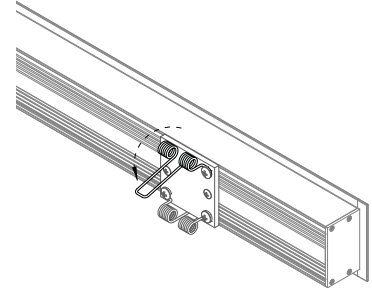
Quantum 2 RECESSED 1005

Recessed Mount Installation Cont.

4 Pull Back First Spring

Pull back the first spring and hold it in place.

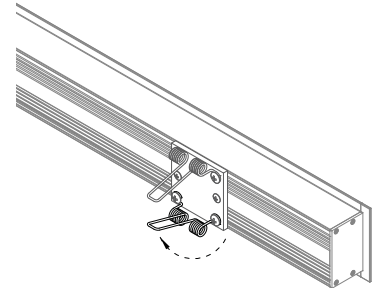
Be careful to keep fingers out of the way in case the spring slips and snaps back!



5 Pull Back Second Spring

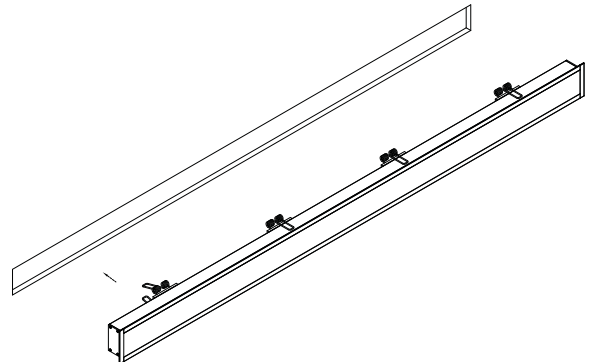
Pull back the second spring. Hold both springs together like bunny ears.

Be careful to keep fingers out of the way in case the spring slips and snaps back!



6 Position the Channel

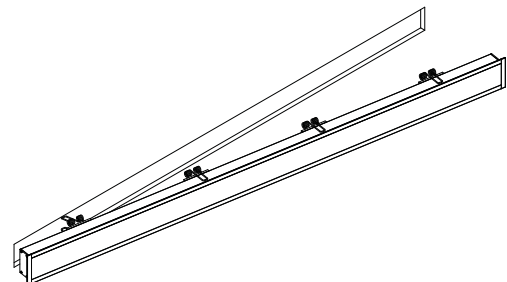
Line up the channel with the slot.



7 Insert First Pair of Springs

While holding the first pair of springs together, insert them into the slot and carefully release them so they grab the edges of the slot.

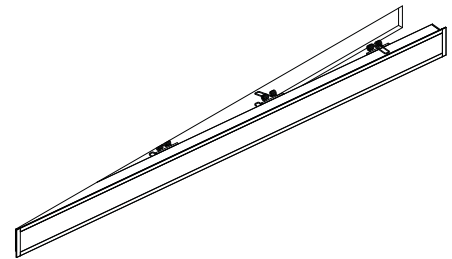
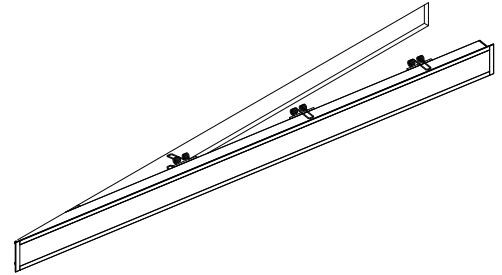
Be careful to keep fingers out of the way in case the spring slips and snaps back!



Quantum 2 RECESSED 1005

Recessed Mount Installation Cont.

- 8** **Insert Remaining Springs**
Continue down the line, inserting one pair of springs at a time.



-
- 9** **Insert the Last Springs**
When the last pair of springs is inserted into the slot, the channel should pull itself firmly into place.

