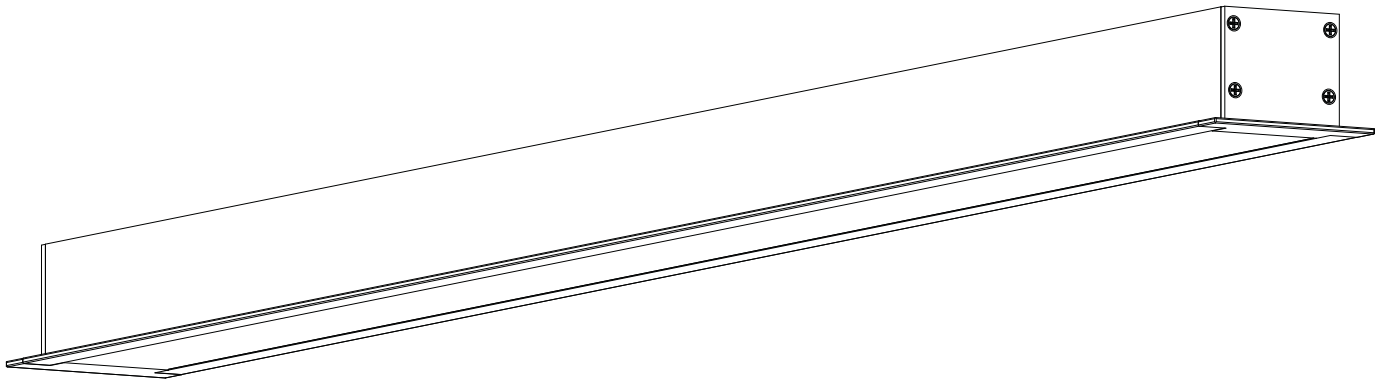


Quantum 2 RECESSED 1913

Installation Instructions

#CH-R-1913-KIT
#CH-R-1913-2FT
#CH-R-1913-4FT
#CH-R-1913-6FT
#CH-R-1913-8FT
Custom #CH-R-1913



Sections:

- Pg. 2 Fixture Kit Channel Preparation
- Pg. 7 Recessed Mount Installation

Version 3



Quantum 2 RECESSED 1913

Fixture Kit Channel Preparation

Cutting Instructions

Please note: If you've purchased either a Standard Fixture or Custom Fixture, please skip to page 7 for installation instructions.

Tools Needed

- Miter Saw/Chop Saw
- Saw blade rated for aluminum (96-tooth-blade or higher recommended)
- Painters or Masking Tape
- Drill Bit: 1/4"
- Tape Measure (or long ruler)
- Marker/Pen/Pencil
- Safety Glasses
- Recommended: Work Apron/Long Sleeve shirt
- Canned Air/Air Compressor
- Fine Tip (#1) Phillips Screwdriver or Bit
- Optional: Fine File (#2 or #4 recommended) or De-Burring Tool
- Optional Drill Bit: 5/16"

Parts Needed

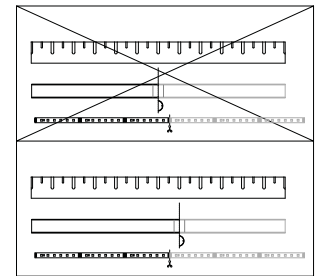
- #CH-R-1913-KIT
- CH-R-1913 Aluminum Channel
- Diffuser Lens
- Tape Light
- End Caps
- Grommet (optional)

IMPORTANT!

- Always wear safety glasses while cutting Quantum Channel!
- Have a question? Give us a call at 832-717-2710 or e-mail us at designs@ledinspirations.com.

1 Determine Length to Cut

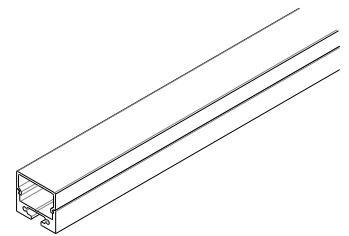
The LED tape light that comes with the CH-R-1913-KIT has a cut length of 3-9/32". To ensure that there are no dark spots or shadows at the ends, the channel cut length should be in increments of 3-9/32", plus about 3/8", to account for the wire exit.



NOTE: SEE THE CUT CHART ON PAGE 6 FOR CUT INCREMENTS.

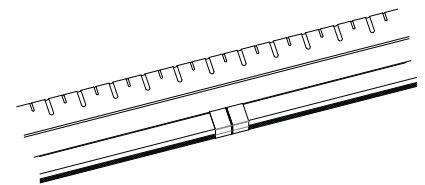
2 Prepare Lens for Cutting

Insert and snap the plastic lens into the channel flush with the end of the channel.



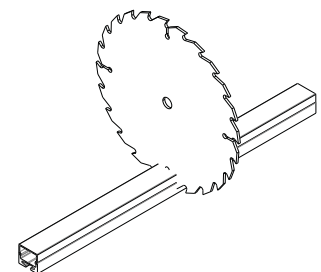
3 Measure, Tape, and Mark

Measure out your desired cut length. Wrap both the channel and lens with masking/painters tape to hold them firmly together and protect them from scratching from the saw blade. Mark on top of the tape where you want to make your cut.



4 Cutting

Use a saw blade rated for aluminum, 96-tooth or higher recommended. Cut to the OUTSIDE of the mark. This will ensure the width of the sawblade does not subtract from the desired length. Cut slowly and evenly to ensure a clean cut. You may need to de-bur some edges with a file or de-burring tool.



Quantum 2 RECESSED 1913

Fixture Kit Channel Preparation Cont.

Drilling Instructions

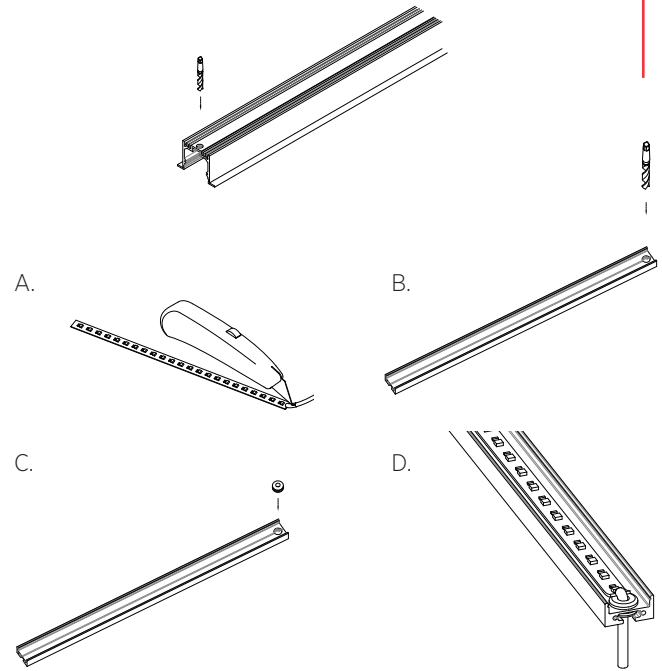
5 Drill Hole for wire

The low voltage wire may exit through either the End Cap or back of channel. Drill a 1/4" hole in the End Cap OR back of channel for the low voltage wire to exit.

OPTIONAL: For a more professional installation, a grommet may be used in place of the heat shrink tubing to protect the wire exiting the channel. See below for instructions on installing grommets.

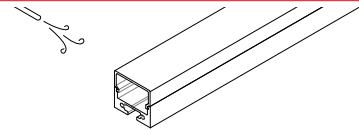
- A. Using a utility knife, carefully remove heat shrink tubing where wire is soldered to tape light.
- B. Drill a 5/16" hole centered 1/4"-5/16" from edge of channel completely through the back and inside of the channel.
- C. Insert grommets into both holes.
- D. Lay tape light over grommet and feed wire through grommets. Tape light should sit up on the grommet slightly.

CAUTION! THE SOLDER POINTS SHOULD NOT MAKE CONTACT WITH THE ALUMINUM OF THE QUANTUM CHANNEL.



6 Clean-Up

Use canned air or an air compressor to clear away the aluminum shavings from inside the channel.



Adapter Plate Mounting Instructions

Tools Needed

- Power Drill
- Phillips Drive Bits

Parts Needed

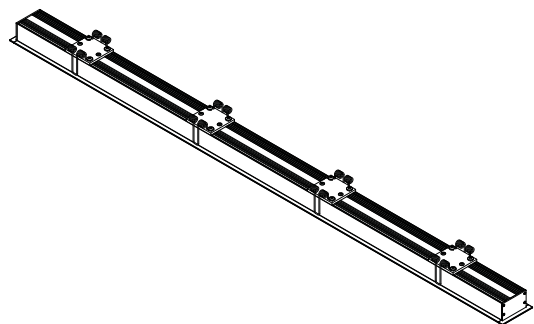
- #CH-MOUNT-R-1913
- Plate (x1)
- Butterfly Spring (x2)
- Self-Tapping Screw (x1)
- Sheet Metal Screw (x3)
- Truss Head Screw (x5)

7 Adapter Plate Spacing

There is one plate for every pair of springs.
There should be a plate 4" to 6" from each end.
All Adapter Plates should be spaced evenly when installing.

Total number of springs needed:

- <1' 1 Pair of Springs
- 1'-3' 2 Pairs of Springs
- 3'-5' 3 Pairs of Springs
- 5'-7' 4 Pairs of Springs
- 7'-8' 5 Pairs of Springs



Quantum 2 RECESSED 1913

Fixture Kit Channel Preparation Cont.

Adapter Plate Mounting Instructions Cont.

8 Pilot Holes for Adapter Plate

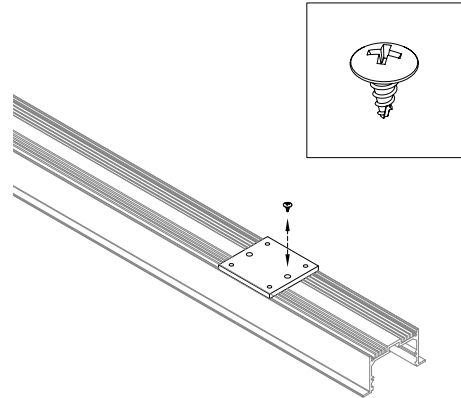
A self-tapping screw has been included to be used as a self-stopping drill bit to drill pilot holes.

PRO TIP! To prevent wobble, select a Phillips Head bit that creates a snug fit for the screw. A center punch may also be used to help get the hole started.

Place the plate on the back of the channel.

For each of the two middle holes, screw through the plate and into the back of the channel, then remove the self-tapping screw.

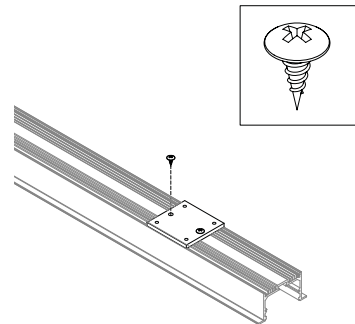
NOTE: DO NOT USE A DRILL BIT TO DRILL PILOT HOLES WITH TAPE LIGHT INSTALLED, OR IT WILL PUNCTURE THE TAPE LIGHT!



9 Attach Adapter Plate

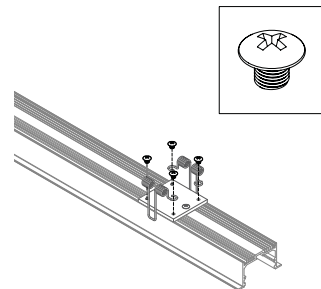
Use the included Sheet Metal screws to secure the plate to the back of the channel via the pilot holes.

NOTE: USING LONGER SCREWS WILL PUNCTURE THE TAPE LIGHT!



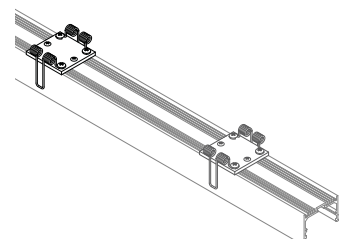
10 Attach Springs

Attach the butterfly springs using the included Truss Head machine screws.



11 Continue Attaching Adapter Plates and Springs

Repeat steps 8-11 for the remaining plates and springs.



Quantum 2 RECESSED 1913

Fixture Kit Channel Preparation Cont.

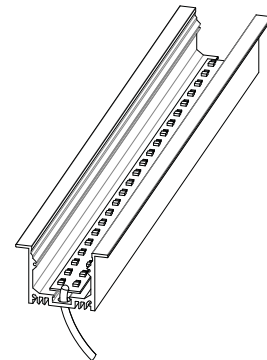
Tape Light, Lens, and End Cap Installation

12 Install Quantum High Density LED Tape Light

Feed the crystal clear wire on the LED tape light through the ¼" hole. (If you installed a grommet, lay the tape light over the grommet and feed the wire through the grommet. The tape light should sit up on the grommet slightly.)

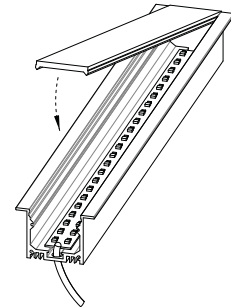
CAUTION! THE SOLDER POINTS SHOULD **NOT** MAKE CONTACT WITH THE ALUMINUM OF THE QUANTUM CHANNEL.

Peel off the adhesive on the back of the LED tape light and stick it down inside the channel, centered as well as possible.



13 Install Diffuser Lens

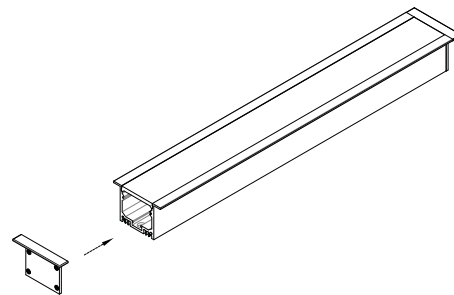
Press and snap, or slide in the diffuser lens.



14 Install End Caps

Using the End Cap screws, install the End Caps on each end of the channel.

Pro Tip! Use a #1 (fine-tip) Phillips bit to avoid stripping the small screws used with the end caps.



Quantum 2 RECESSED 1913

Cut Chart

The chart below shows optimized cut lengths that will allow the tape light to completely fill the channel and ensure no dark spots or shadows.

Overall Length	Cut Aluminum Length	Cut Lens Length	Cut LED Tape Light Length	Installation Groove LENGTH for Recessed Channel	Installation Groove WIDTH for Recessed Channel
0' 4-3/8"	0' 3-21/32"	0' 3-21/32"	0' 3-9/32"	0' 3-25/32"	0' 1-3/8"
0' 7-21/32"	0' 6-15/16"	0' 6-15/16"	0' 6-9/16"	0' 7-1/16"	0' 1-3/8"
0' 10-15/16"	0' 10-7/32"	0' 10-7/32"	0' 9-27/32"	0' 10-11/32"	0' 1-3/8"
1' 2-7/32"	1' 1-1/2"	1' 1-1/2"	1' 1-1/8"	1' 1-5/8"	0' 1-3/8"
1' 5-1/2"	1' 4-25/32"	1' 4-25/32"	1' 4-13/32"	1' 4-29/32"	0' 1-3/8"
1' 8-3/4"	1' 8-1/16"	1' 8-1/16"	1' 7-11/16"	1' 8-3/16"	0' 1-3/8"
2' 0-1/32"	1' 11-5/16"	1' 11-5/16"	1' 10-15/16"	1' 11-7/16"	0' 1-3/8"
2' 3-5/16"	2' 2-19/32"	2' 2-19/32"	2' 2-7/32"	2' 2-23/32"	0' 1-3/8"
2' 6-19/32"	2' 5-7/8"	2' 5-7/8"	2' 5-1/2"	2' 6"	0' 1-3/8"
2' 9-7/8"	2' 9-5/32"	2' 9-5/32"	2' 8-25/32"	2' 9-9/32"	0' 1-3/8"
3' 1-5/32"	3' 0-7/16"	3' 0-7/16"	3' 0-1/16"	3' 0-9/16"	0' 1-3/8"
3' 4-7/16"	3' 3-23/32"	3' 3-23/32"	3' 3-11/32"	3' 3-27/32"	0' 1-3/8"
3' 7-23/32"	3' 7"	3' 6-1/1"	3' 6-5/8"	3' 7-1/8"	0' 1-3/8"
3' 11"	3' 10-9/32"	3' 10-9/32"	3' 9-29/32"	3' 10-13/32"	0' 1-3/8"
4' 2-9/32"	4' 1-9/16"	4' 1-9/16"	4' 1-3/16"	4' 1-11/16"	0' 1-3/8"
4' 5-9/16"	4' 4-27/32"	4' 4-27/32"	4' 4-15/32"	4' 4-31/32"	0' 1-3/8"
4' 8-27/32"	4' 8-1/8"	4' 8-1/8"	4' 7-3/4"	4' 8-1/4"	0' 1-3/8"
5' 0-3/32"	4' 11-13/32"	4' 11-13/32"	4' 11-1/32"	4' 11-17/32"	0' 1-3/8"
5' 3-3/8"	5' 2-21/32"	5' 2-21/32"	5' 2-9/32"	5' 2-25/32"	0' 1-3/8"
5' 6-21/32"	5' 5-15/16"	5' 5-15/16"	5' 5-9/16"	5' 6-1/16"	0' 1-3/8"
5' 9-15/16"	5' 9-7/32"	5' 9-7/32"	5' 8-27/32"	5' 9-11/32"	0' 1-3/8"
6' 1-7/32"	6' 0-1/2"	6' 0-1/2"	6' 0-1/8"	6' 0-5/8"	0' 1-3/8"
6' 4-1/2"	6' 3-25/32"	6' 3-25/32"	6' 3-13/32"	6' 3-29/32"	0' 1-3/8"
6' 7-25/32"	6' 7-1/16"	6' 7-1/16"	6' 6-11/16"	6' 7-3/16"	0' 1-3/8"
6' 11-1/16"	6' 10-11/32"	6' 10-11/32"	6' 9-31/32"	6' 10-15/32"	0' 1-3/8"
7' 2-11/32"	7' 1-5/8"	7' 1-5/8"	7' 1-1/4"	7' 1-3/4"	0' 1-3/8"
7' 5-5/8"	7' 4-29/32"	7' 4-29/32"	7' 4-17/32"	7' 5-1/32"	0' 1-3/8"
7' 8-29/32"	7' 8-3/16"	7' 8-3/16"	7' 7-13/16"	7' 8-5/16"	0' 1-3/8"
8' 0-3/16"	7' 11-15/32"	7' 11-15/32"	7' 11-3/32"	7' 11-19/32"	0' 1-3/8"



Magenta = Channel
 Cyan = End Caps
 Green = Tape Light
 Yellow = Lens
 Red = Low Voltage Wire

Quantum 2 RECESSED 1913

Recessed Mount Installation

Parts Needed

- Mounting Plate
- Flat Head Machine Screw (x3)
- Machine Screw Nuts (x3)
- Butterfly Springs (x2)
- Truss Head Screw (x3)
- 24V DC Driver

Tools Needed

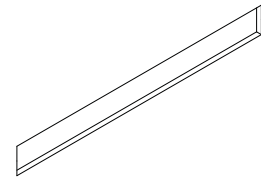
- Phillips Screwdriver
- Jigsaw or Drywall Saw

IMPORTANT!

- Turn power **OFF** before installation!
- Longer channels will require two people to install.
- Have a question? Give us a call at 832-717-2710 or e-mail us at designs@ledinspirations.com.

1 Cut a slot

Cut a 1- $\frac{3}{8}$ " to 1- $\frac{1}{2}$ " wide slot into drywall or wood.



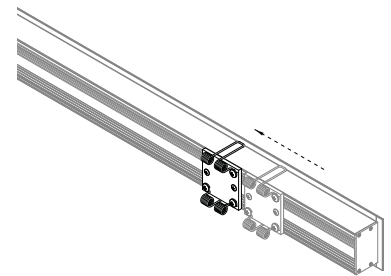
2 Check for Obstacles Before Recessing Channel

If there is an obstacle such as a stud or pipe that will be in the way of the springs, remount the Adapter Plate (with springs installed) to avoid the obstacles.

NOTE: TO REMOUNT THE ADAPTER PLATE, REMOVE THE SHEET METAL SCREWS SECURING THE PLATE AND RE-POSITION THE ADAPTER PLATE.

SEE STEPS 8 AND 9 ON PAGE 4.

(THE BUTTERFLY SPRINGS DO NOT NEED TO BE REMOVED)



3 Run Low Voltage Wire to the 24v DC Driver

If the 24v DC driver is within 9-10 feet of the channel:

The Quantum High Density Tape Light comes with 10 feet of crystal clear wire that can be wired directly to the driver.

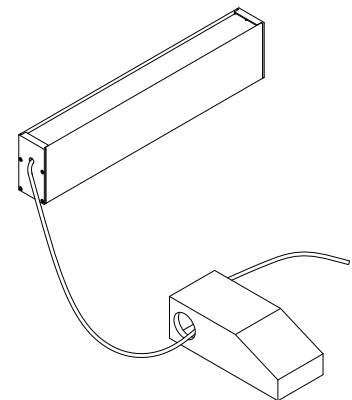
If the 24v DC driver is 10 feet or further from the channel:

Use at least 18 AWG low voltage wire to extend the 10 foot crystal clear wire. Wire the low voltage crystal clear wire into the 24v DC driver.

If the 24v DC driver is more than 30 feet away from the channel:

Please contact our Design Department at 832-717-2710 or designs@ledinspirations.com so we may recommend the correct wire size to use.

PRO TIP! The positive (hot) wire is marked with a white line on the crystal clear wire.



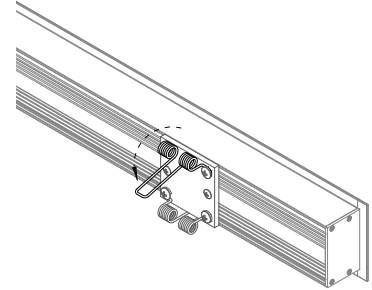
Quantum 2 RECESSED 1913

Recessed Mount Installation Cont.

4 Pull Back First Spring

Pull back the first spring and hold it in place.

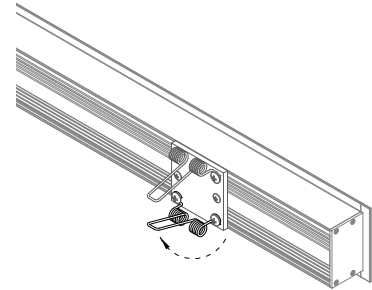
Be careful to keep fingers out of the way in case the spring slips and snaps back!



5 Pull Back Second Spring

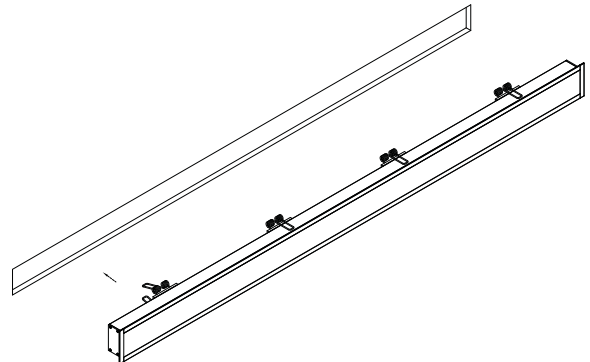
Pull back the second spring. Hold both springs together like bunny ears.

Be careful to keep fingers out of the way in case the spring slips and snaps back!



6 Position the Channel

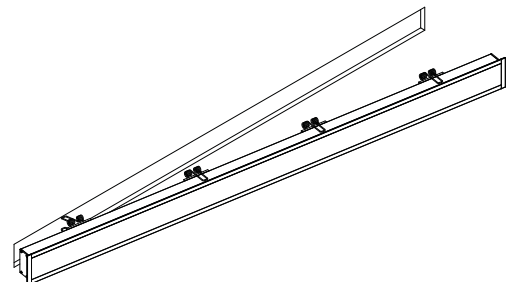
Line up the channel with the slot.



7 Insert First Pair of Springs

While holding the first pair of springs together, insert them into the slot and carefully release them so they grab the edges of the slot.

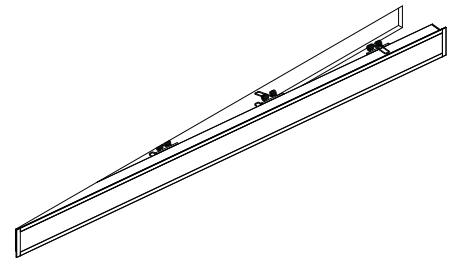
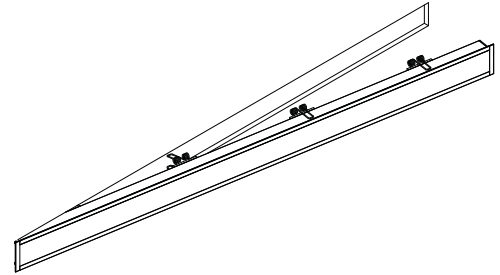
Be careful to keep fingers out of the way in case the spring slips and snaps back!



Quantum 2 RECESSED 1913

Recessed Mount Installation Cont.

- 8** **Insert Remaining Springs**
Continue down the line, inserting one pair of springs at a time.



- 9** **Insert the Last Springs**
When the last pair of springs is inserted into the slot, the channel should pull itself firmly into place.

