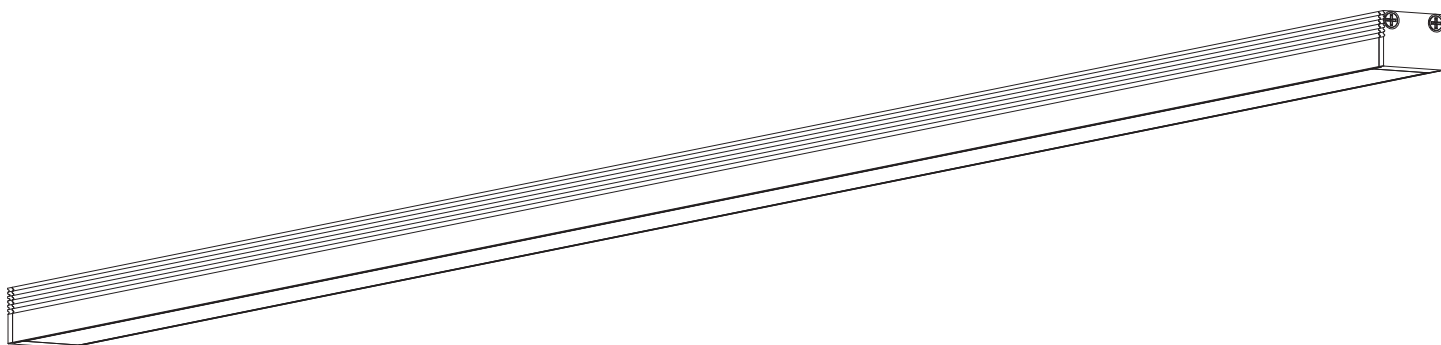


Quantum 2 SQUARE 0605

Installation Instructions

#CH-S-0605-KIT
#CH-S-0605-2FT
#CH-S-0605-4FT
#CH-S-0605-6FT
#CH-S-0605-8FT
Custom #CH-S-0605



Sections:

- Pg. 2 Fixture Kit Channel Preparation
- Pg. 6 Cut Length Chart
- Pg. 7 Recessed Mount Installation
- Pg. 9 Surface Mount Installation

Quantum 2 SQUARE 0605

Fixture Kit Channel Preparation

Please note: If you've purchased either a Standard Fixture or Custom Fixture, please skip to page 6 for recessed mounting installation instructions, or page 8 for surface mount installation instructions.

Tools Needed

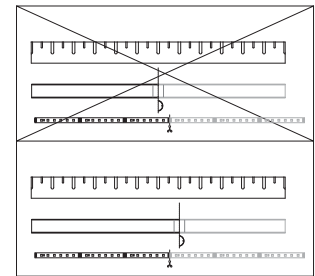
- Miter Saw/Chop Saw
- Saw blade rated for aluminum (96-tooth-blade or higher recommended)
- Painters or Masking Tape
- Canned Air/Air Compressor
- Tape Measure (or long ruler)
- Marker/Pen/Pencil
- Safety Glasses
- Recommended: Work Apron/Long Sleeve shirt
- Drill Bit: $\frac{5}{16}$ "
- Optional: Fine File (#2 or #4 recommended) or De-Burring Tool
- Optional: Silicone Lubricant

Parts Included

- #CH-S-0605-KIT
- CH-S-0605 Aluminum Channel
- Diffuser Lens
- Tape Light
- End Caps
- Grommet

IMPORTANT!

- Always wear safety glasses while cutting Quantum Channel!
- Have a question? Give us a call at 832-717-2710 or e-mail us at designs@ledinspirations.com.



1 Determine Length to Cut

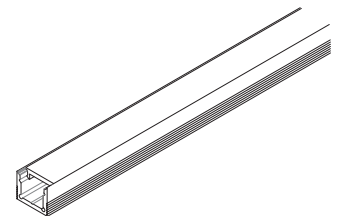
The LED tape light that comes with the CH-S-0605-KIT-XX has a cut length of $2\text{-}\frac{13}{16}$ ". To ensure that there are no dark spots or shadows at the ends, the channel cut length should be in increments of $2\text{-}\frac{13}{16}$ ", plus about $\frac{3}{8}$ " to account for the wire exit.

NOTE: SEE THE CUT CHART ON PAGE 5 FOR CUT INCREMENTS.

2 Prepare Lens for Cutting

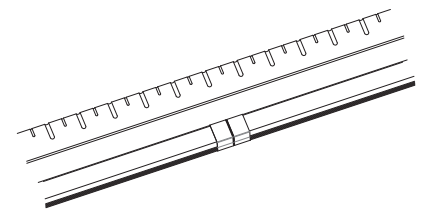
Insert and snap the plastic lens into the channel $\frac{5}{16}$ " from the end of the channel. The End Caps for the CH-S-0605 each have a tab that extends $\frac{5}{32}$ " into the channel, and must be accounted for on both ends of the channel.

Pro Tip! When butting two pieces together, cut the lens flush on the joining ends. You only need to account for the $\frac{5}{32}$ " tab on the ends receiving end caps.



3 Measure, Tape, and Mark

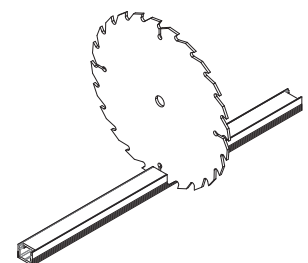
Measure out your desired cut length. Wrap both the channel and lens with masking/painters tape to hold them firmly together and protect them from scratching from the saw blade. Mark on top of the tape where you want to make your cut.



4 Cutting

Use a saw blade rated for aluminum, 96-tooth or higher recommended. Cut to the OUTSIDE of the mark. This will ensure the width of the sawblade does not subtract from the desired length. Cut slowly and evenly to ensure a clean cut. You may need to de-bur some edges with a file or de-burring tool.

Use canned air or an air compressor to clear away the aluminum shavings from inside the channel.



Quantum 2 SQUARE 0605

Fixture Kit Channel Preparation Cont.

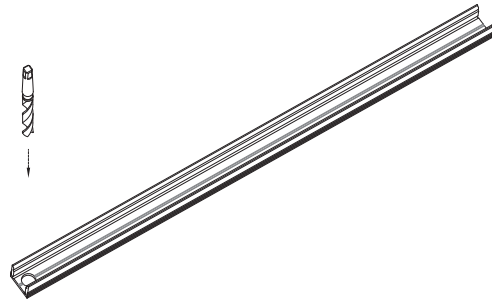
5 Drill Hole

Drill a $\frac{5}{16}$ " hole in the back of the channel centered $\frac{1}{4}$ "- $\frac{5}{16}$ " from the edge of the channel.

Optional: End Cap Exit

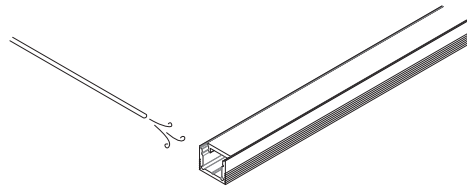
A rear channel exit may not be possible in all situations. In this case, the wire may exit through the end cap.

Please see [Page 5](#) for End Cap Exit Instructions



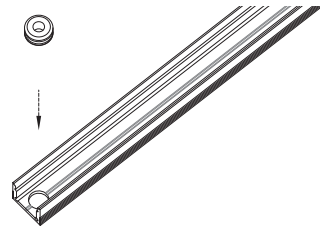
6 Clear Away Shavings

After drilling, use canned air or an air compressor to clear away any aluminum shavings inside the channel.



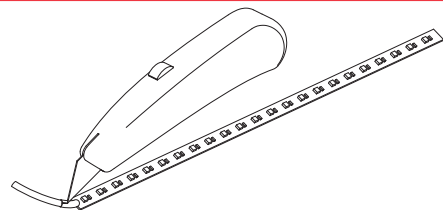
7 Insert Grommet

Insert the included grommet into the hole.



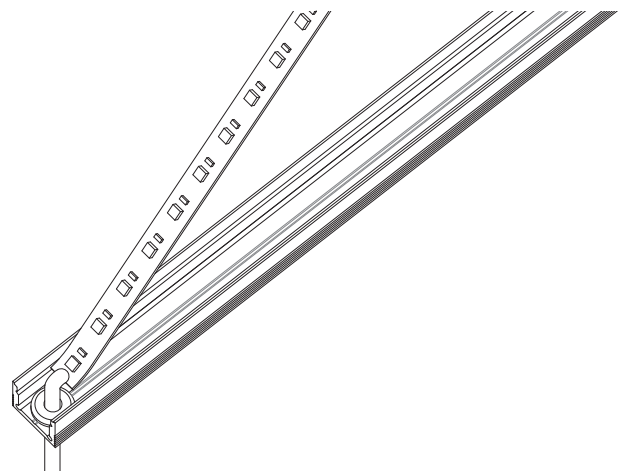
8 Remove Heat Shrink

The tape light comes with heat shrink tubing around the soldered end of the tape light. Use a utility knife or sharp blade to cut away the heat shrink.



9 Feed Wire

Feed the wire through the grommet. Silicone Lubricant spray is recommended to help slide the wire through.



Quantum 2 SQUARE 0605

Fixture Kit Channel Preparation Cont.

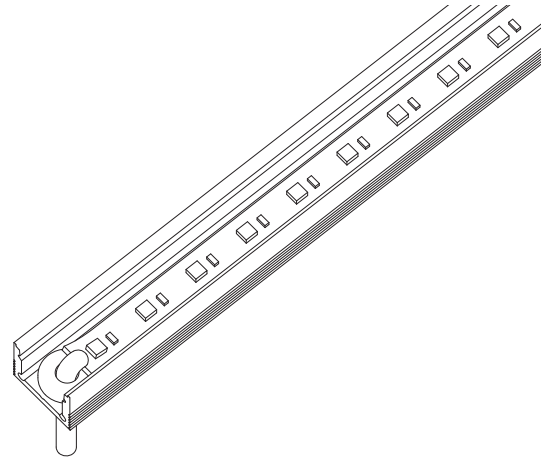
10 Install Quantum High Density LED Tape Light

Peel off the adhesive on the back of the LED tape light.

Lay the tape light over the grommet. The tape light should sit up on the grommet slightly.

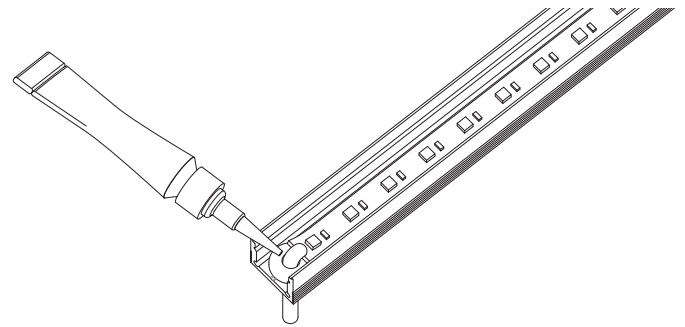
Stick down the tape light inside the channel, centered as well as possible.

CAUTION! THE SOLDER POINTS SHOULD **NOT** MAKE CONTACT WITH THE ALUMINUM OF THE QUANTUM CHANNEL.



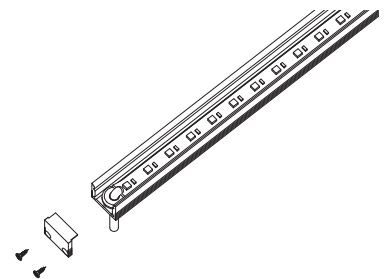
11 Apply Adhesive

Apply a SMALL dab of super glue to the grommet where the wire goes through. This will ensure the wire does not pull off of the tape light if the wire gets yanked during installation.



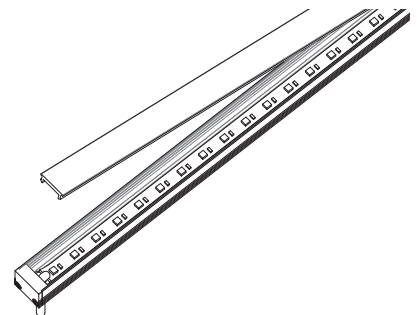
12 Install End Caps

Using the #2 End Cap screws, install the End Caps on each end of the channel.



13 Install Diffuser Lens

Press and snap in the diffuser lens.



Quantum 2 SQUARE 0605

Fixture Kit Channel Preparation Cont.

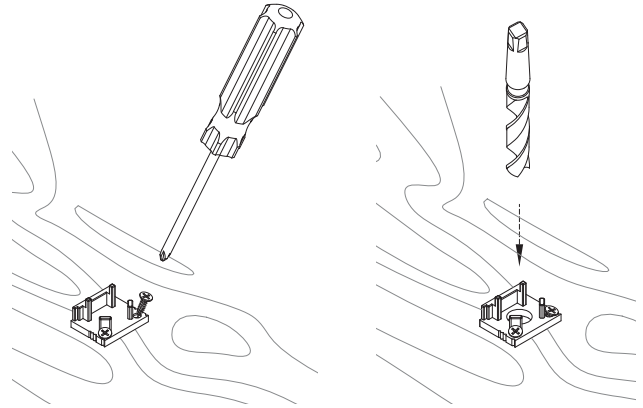
End Cap Wire Exit

5A Drill Hole for Wire Exit

Since the end cap is small and hard to grip, it is recommended to screw it to a piece of wood before drilling.

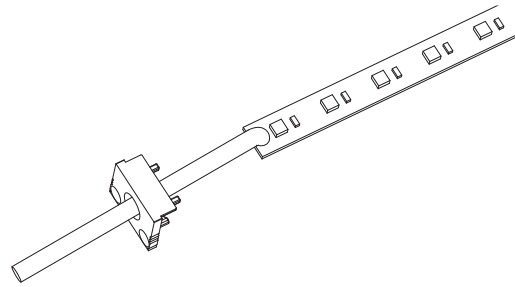
Drill a 1/4" hole in the center of the end cap.

Unscrew the end caps from the wood when finished drilling.



6A Feed Wire

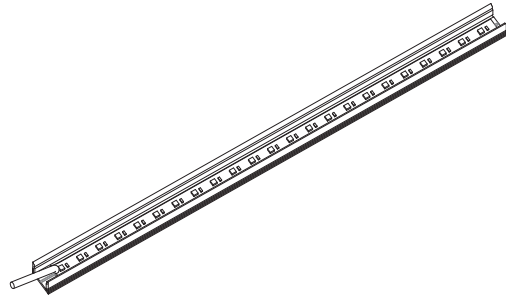
Feed the wire through the end cap.



7A Install Quantum High Density LED Tape Light

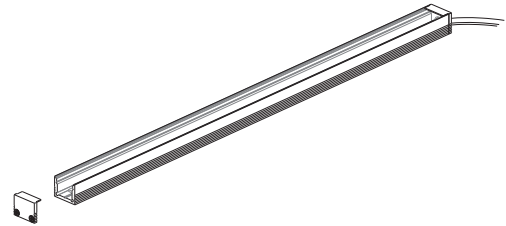
Peel off the adhesive on the back of the LED tape light.

Stick down the tape light inside the channel, centered as well as possible.



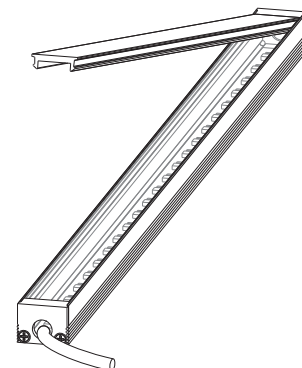
8A Install End Caps

Using the #2 End Cap screws, install the End Caps on each end of the channel.



9A Install Diffuser Lens

Press and snap in the diffuser lens.



Quantum 2 SQUARE 0605

Cut Length Chart

The chart below shows optimized cut lengths that will allow the tape light to completely fill the channel and ensure no dark spots or shadows.

Overall Length	Cut Aluminum Length	Cut Lens Length	Cut LED Tape Light Length
0' 3-11/32"	0' 3-3/16"	0' 2-7/8"	0' 2-13/16"
0' 6-5/32"	0' 6"	0' 5-11/16"	0' 5-5/8"
0' 8-31/32"	0' 8-13/16"	0' 8-1/2"	0' 8-7/16"
0' 11-25/32"	0' 11-5/8"	0' 11-5/16"	0' 11-1/4"
1' 2-19/32"	1' 2-7/16"	1' 2-1/8"	1' 2-1/16"
1' 5-13/32"	1' 5-1/4"	1' 4-29/32"	1' 4-7/8"
1' 8-7/32"	1' 8-1/16"	1' 7-23/32"	1' 7-11/16"
1' 11"	1' 10-27/32"	1' 10-17/32"	1' 10-15/32"
2' 1-13/16"	2' 1-21/32"	2' 1-11/32"	2' 1-9/32"
2' 4-5/8"	2' 4-15/32"	2' 4-5/32"	2' 4-3/32"
2' 7-7/16"	2' 7-9/32"	2' 6-31/32"	2' 6-29/32"
2' 10-1/4"	2' 10-3/32"	2' 9-25/32"	2' 9-23/32"
3' 1-1/16"	3' 0-29/32"	3' 0-19/32"	3' 0-17/32"
3' 3-7/8"	3' 3-23/32"	3' 3-13/32"	3' 3-11/32"
3' 6-11/16"	3' 6-17/32"	3' 6-7/32"	3' 6-5/32"
3' 9-1/2"	3' 9-11/32"	3' 9-1/32"	3' 8-31/32"
4' 0-5/16"	4' 0-5/32"	3' 11-27/32"	3' 11-25/32"
4' 3-1/8"	4' 2-31/32"	4' 2-21/32"	4' 2-19/32"
4' 5-15/16"	4' 5-25/32"	4' 5-15/32"	4' 5-13/32"
4' 8-3/4"	4' 8-19/32"	4' 8-9/32"	4' 8-7/32"
4' 11-9/16"	4' 11-13/32"	4' 11-1/16"	4' 11-1/32"
5' 2-3/8"	5' 2-7/32"	5' 1-7/8"	5' 1-27/32"
5' 5-5/32"	5' 5"	5' 4-11/16"	5' 4-5/8"
5' 7-31/32"	5' 7-13/16"	5' 7-1/2"	5' 7-7/16"
5' 10-25/32"	5' 10-5/8"	5' 10-5/16"	5' 10-1/4"
6' 1-19/32"	6' 1-7/16"	6' 1-1/8"	6' 1-1/16"
6' 4-13/32"	6' 4-1/4"	6' 3-15/16"	6' 3-7/8"
6' 7-7/32"	6' 7-1/16"	6' 6-3/4"	6' 6-11/16"
6' 10-1/32"	6' 9-7/8"	6' 9-9/16"	6' 9-1/2"
7' 0-27/32"	7' 0-11/16"	7' 0-3/8"	7' 0-5/16"
7' 3-21/32"	7' 3-1/2"	7' 3-3/16"	7' 3-1/8"
7' 6-15/32"	7' 6-5/16"	7' 6"	7' 5-15/16"
7' 9-9/32"	7' 9-1/8"	7' 8-13/16"	7' 8-3/4"
8' 0-3/32"	7' 11-15/16"	7' 11-5/8"	7' 11-9/16"



Magenta = Channel
 Cyan = End Caps
 Green = Tape Light
 Yellow = Lens
 Red = Low Voltage Wire

Quantum 2 SQUARE 0605

Recessed Mount Installation

Tools Needed

- Phillips Screwdriver
- Painters or Masking Tape
- Power Drill
- Wire Nuts/Butt Splices
- Wire Strippers
- Ruler/Straight Edge
- Pen/Pencil
- Optional: Crimper (for Butt Splices)
- Optional: Diamond Saw Blade & Grinder (for stone, concrete, or brick)
- Optional: Router (for recessing into wood)
- Glue or Epoxy

Parts Needed

- Assembled Channel
- 24V DC Driver

IMPORTANT!

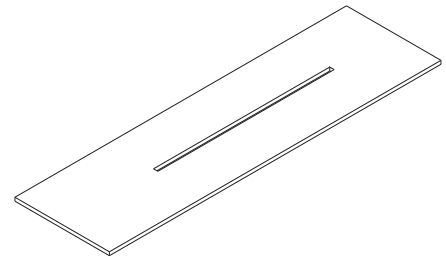
- Turn power **OFF** before installation!
- Installation is easier with two people.
- Have a question? Give us a call at 832-717-2710 or e-mail us at designs@ledinspirations.com.

1 Cut Recess Groove

For concrete, stone, brick, or wood installation: Cut a $\frac{5}{8}$ " inch wide by $\frac{1}{2}$ " deep groove for the Quantum Channel to recess into. Glue or epoxy should be used to secure the channel into the groove.

For cutting into concrete, stone, or brick: Use a diamond saw blade with a grinder.

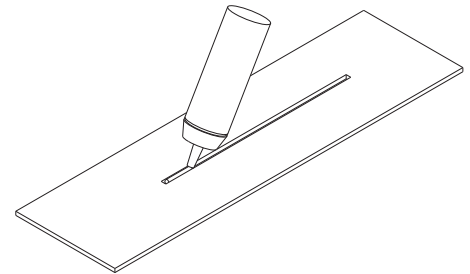
For cutting into Wood: Use a router.



2 Apply Glue

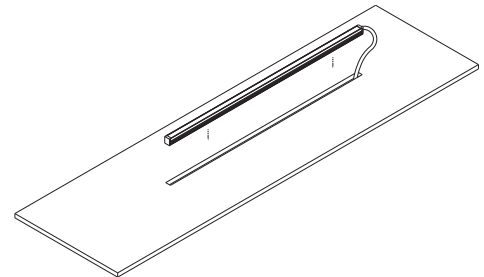
Use a glue or epoxy that is suitable for your application and the surface being installed into. Apply the glue inside the groove.

CAUTION! Excessive glue can expand and get onto the diffuser lens.



3 Apply Quantum Channel

Tuck in the low voltage wire and press the Quantum Channel into the groove.

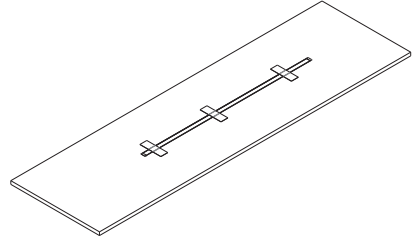


Quantum 2 SQUARE 0605

Recessed Mount Installation Cont.

4 Secure and Dry

Depending on the glue used, you may need to tape down the channel with painters or masking tape while the glue is curing. Remove tape when the glue has dried.

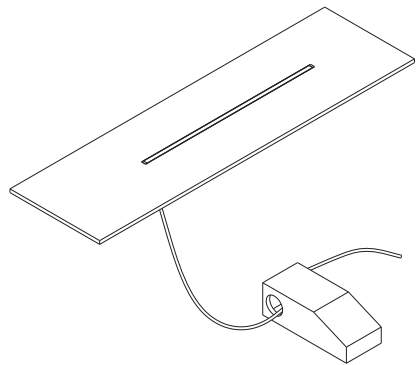


5 Run Low Voltage Wire to 24v DC Driver

- If the 24v DC driver is within 9-10 feet of the channel:
The Quantum High Density Tape Light comes with 10 feet of crystal clear wire. Wire the crystal clear wire into the 24v DC driver.
- If the 24v DC driver is 10-30 feet from the channel: Use at least 18 AWG low voltage wire to extend the 10 foot crystal clear wire.
- If the 24v DC driver is more than 30 feet away, please contact our Design Department at 832-717-2710 or designs@ledinspirations.com so we may recommend the correct wire size to use.

Wire the low voltage wire from the channel into the 24v DC driver.

PRO TIP! The positive (hot) wire is marked with a white line on the crystal clear wire.



Quantum 2 SQUARE 0605

Surface Mount Installation

Tools Needed

- Phillips Screwdriver
- Wire Stripper
- Power Drill
- Ruler/Straight Edge
- Drill Bit: $\frac{3}{32}$ "
- Pen/Pencil
- Wire Nuts/Butt Splices
- Optional: Crimper (for Butt Splices)

Parts Needed

- Assembled Channel
- 24v DC Driver
- Mounting Clips with Screws

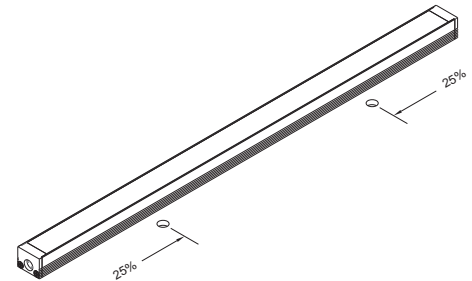
IMPORTANT!

- Turn power **OFF** before installation!
- Installation is easier with two people.
- Have a question? Give us a call at 832-717-2710 or e-mail us at designs@ledinspirations.com.

1 Prep for Surface Mount Clips

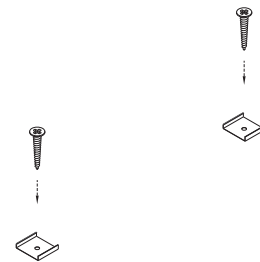
To determine where to drill, come in 25% from each end of the overall length of the channel and mark the locations for the two surface mount clips. Drill holes using the $\frac{3}{32}$ " drill bit.

Example: For an 8 foot fixture, drill holes 2 feet in from each end of the channel.



2 Install Surface Mount Clips

Screw in both surface mount clips into the $\frac{3}{32}$ " holes.



3 Mount Quantum Channel

Press and snap the Quantum Channel onto the surface mount clips.

