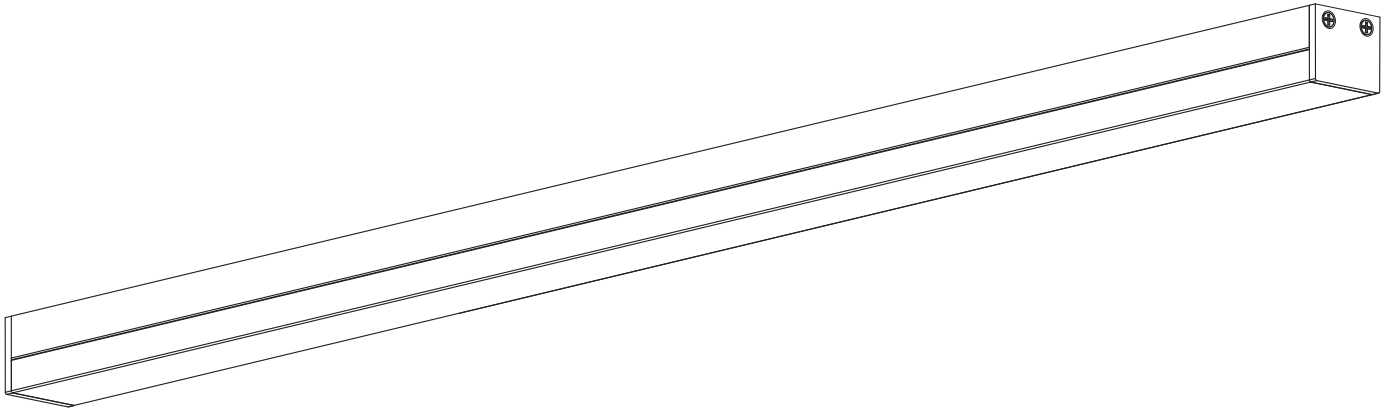


Quantum 2 SQUARE 0808K

Installation Instructions

#CH-S-0808K-KIT
#CH-S-0808K-2FT
#CH-S-0808K-4FT
#CH-S-0808K-6FT
#CH-S-0808K-8FT
Custom #CH-S-0808K



Sections:

- Pg. 2 Fixture Kit Channel Preparation
- Pg. 7 Surface Mount Installation
- Pg. 9 Suspension Installation

Version 4



Quantum 2 SQUARE 0808K

Fixture Kit Channel Preparation

Please note: If you've purchased either a Standard Fixture or Custom Fixture, please skip to page 5 for surface mount installation instructions, page 9 for non-linear suspension installation instructions, or page 13 for linear suspension installation instructions.

Tools Needed

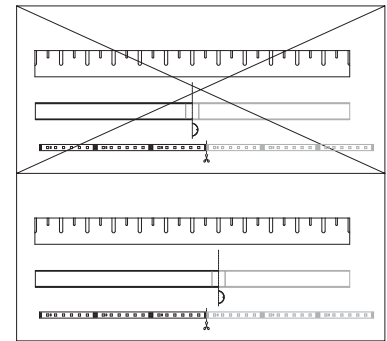
- Miter Saw/Chop Saw
- Saw blade rated for aluminum (96-tooth-blade or higher recommended)
- Painters or Masking Tape
- Drill Bit: $\frac{5}{16}$ "
- Tape Measure (or long ruler)
- Marker/Pen/Pencil
- Safety Glasses
- Recommended: Work Apron/Long Sleeve shirt
- Canned Air/Air Compressor
- Fine Tip (#1) Phillips Screwdriver or Bit
- Optional: Fine File (#2 or #4 recommended) or De-Burring Tool
- Optional: Silicone Lubricant

Parts Included

- #CH-S-0808K-KIT
- CH-S-0808K Aluminum Channel
- Diffuser Lens
- Tape Light
- End Caps
- Grommet

Important!

- Wear safety glasses while cutting Quantum Channel!
- Have a question? Give us a call at 832-717-2710 or e-mail us at designs@ledinspirations.com.

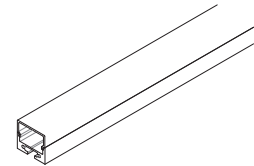


1 Determine Length to Cut

The LED tape light that comes with the CH-S-0808K-KIT has a cut length of $2-1\frac{3}{16}$ ". To ensure that there are no dark spots or shadows at the ends, the channel cut length should be in increments of $2-1\frac{3}{16}$ ", plus about $\frac{3}{8}$ " to account for the wire exit. See the Cut Length Chart on page 6 for cut increments.

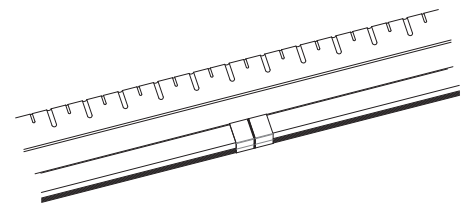
2 Prepare Lens for Cutting

Insert and snap the plastic lens flush with the end of the channel.



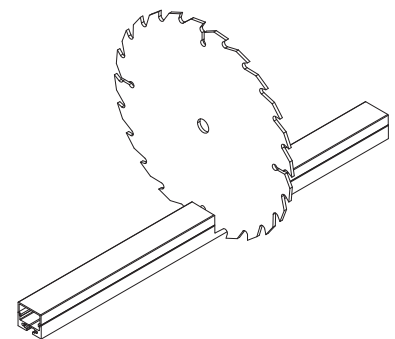
3 Measure, Tape, and Mark

Measure out the length you want to cut. Wrap both the channel and lens with masking/painters tape to hold them firmly together and protect them from scratching from the saw blade. Mark on top of the tape where you want to make your cut.



4 Cutting

Use a saw blade rated for aluminum, 96-tooth or higher recommended. Cut to the OUTSIDE of the mark. This will ensure the width of the sawblade does not subtract from the desired length. Cut slowly and evenly to ensure a clean cut. You may need to de-bur some edges with a file or de-burring tool.



Quantum 2 SQUARE 0808K

Fixture Kit Channel Preparation Cont.

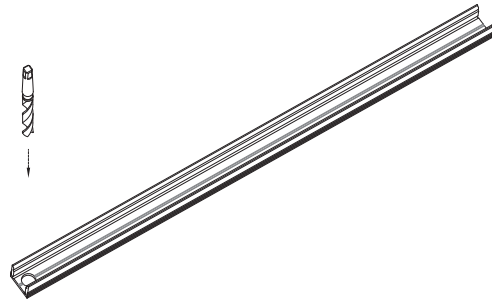
5 Drill Hole

Drill a $\frac{5}{16}$ " hole in the back of the channel centered $\frac{1}{4}$ "- $\frac{5}{16}$ " from the edge of the channel.

Optional: End Cap Exit

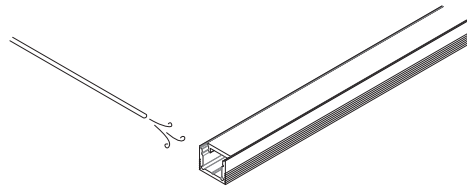
A rear channel exit may not be possible in all situations. In this case, the wire may exit through the end cap.

Please see [Page 5](#) for End Cap Exit Instructions



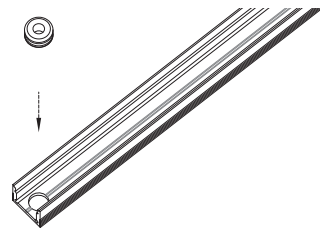
6 Clear Away Shavings

After drilling, use canned air or an air compressor to clear away any aluminum shavings inside the channel.



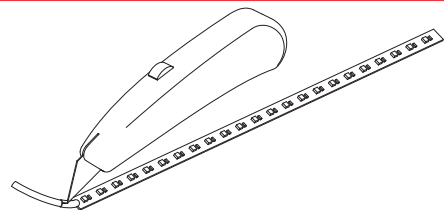
7 Insert Grommet

Insert the included grommet into the hole.



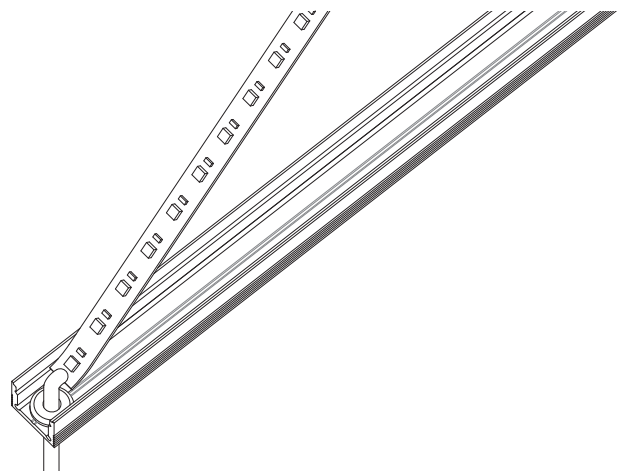
8 Remove Heat Shrink

The tape light comes with heat shrink tubing around the soldered end of the tape light. Use a utility knife or sharp blade to cut away the heat shrink.



9 Feed Wire

Feed the wire through the grommet. Silicone Lubricant spray is recommended to help slide the wire through.



Quantum 2 SQUARE 0808K

Fixture Kit Channel Preparation Cont.

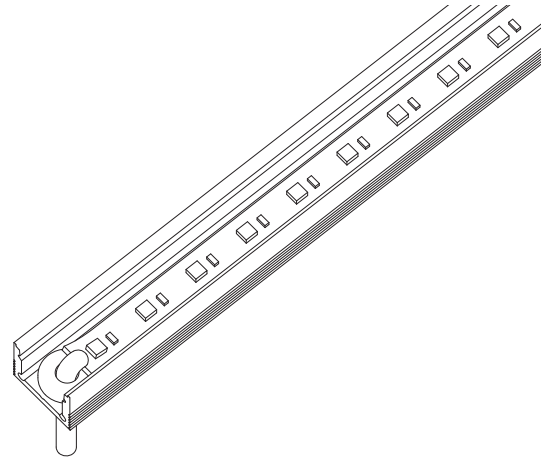
10 Install Quantum High Density LED Tape Light

Peel off the adhesive on the back of the LED tape light.

Lay the tape light over the grommet. The tape light should sit up on the grommet slightly.

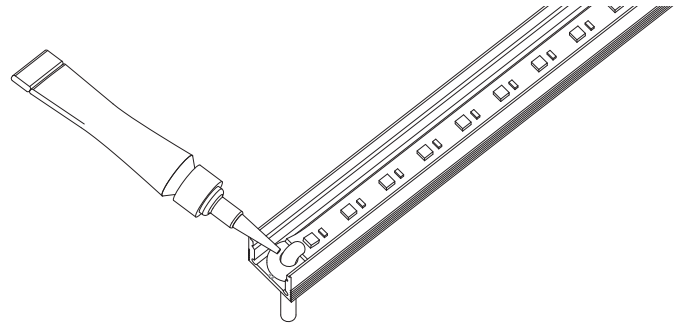
Stick down the tape light inside the channel, centered as well as possible.

CAUTION! THE SOLDER POINTS SHOULD **NOT** MAKE CONTACT WITH THE ALUMINUM OF THE QUANTUM CHANNEL.



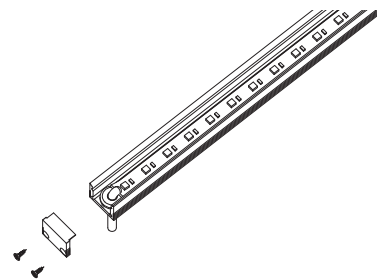
11 Apply Adhesive

Apply a SMALL dab of super glue to the grommet where the wire goes through. This will ensure the wire does not pull off of the tape light if the wire gets yanked during installation.



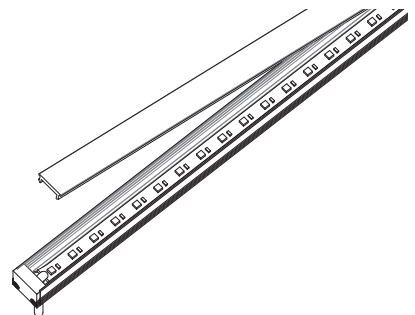
12 Install End Caps

Using the #2 End Cap screws, install the End Caps on each end of the channel.



13 Install Diffuser Lens

Press and snap in the diffuser lens.



Quantum 2 SQUARE 0808K

Fixture Kit Channel Preparation Cont.

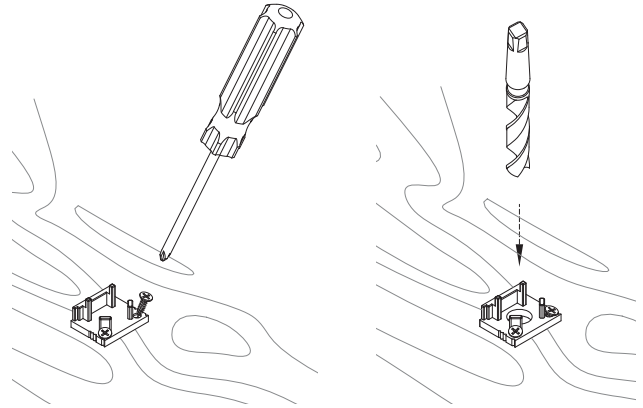
End Cap Wire Exit

5A Drill Hole for Wire Exit

Since the end cap is small and hard to grip, it is recommended to screw it to a piece of wood before drilling.

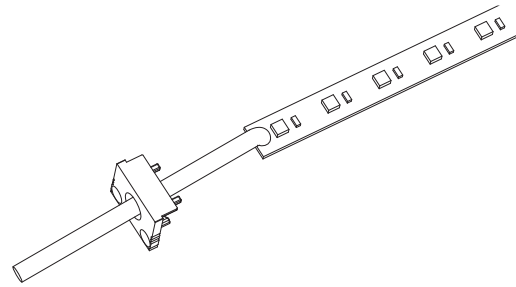
Drill a 1/4" hole in the center of the end cap.

Unscrew the end caps from the wood when finished drilling.



6A Feed Wire

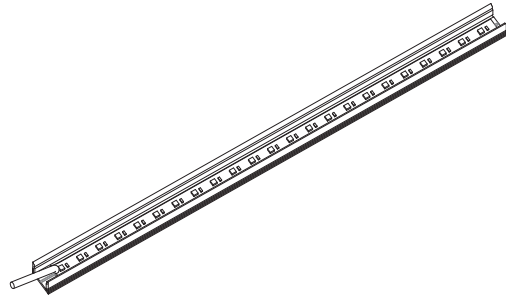
Feed the wire through the end cap.



7A Install Quantum High Density LED Tape Light

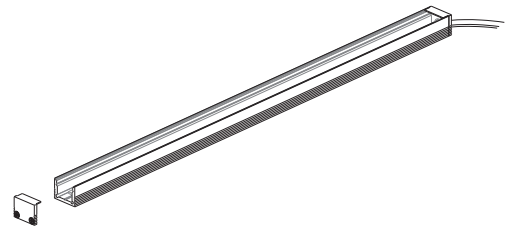
Peel off the adhesive on the back of the LED tape light.

Stick down the tape light inside the channel, centered as well as possible.



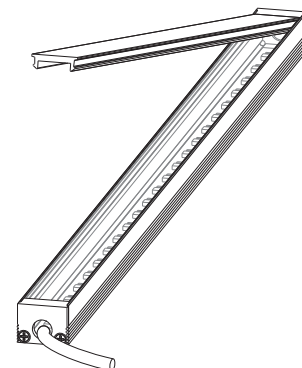
8A Install End Caps

Using the #2 End Cap screws, install the End Caps on each end of the channel.



9A Install Diffuser Lens

Press and snap in the diffuser lens.



Quantum 2 SQUARE 0808K

Cut Chart

The chart below shows optimized cut lengths that will allow the tape light to completely fill the channel and ensure no dark spots or shadows.

| Overall Length | Cut Aluminum Length | Cut Lens Length | Cut LED Tape Light Length |
|----------------|---------------------|-----------------|---------------------------|
| 0' 3-11/32" | 0' 3-3/16" | 0' 3-3/16" | 0' 2-13/16" |
| 0' 6-5/32" | 0' 6" | 0' 6" | 0' 5-5/8" |
| 0' 8-31/32" | 0' 8-13/16" | 0' 8-13/16" | 0' 8-7/16" |
| 0' 11-25/32" | 0' 11-5/8" | 0' 11-5/8" | 0' 11-1/4" |
| 1' 2-19/32" | 1' 2-7/16" | 1' 2-7/16" | 1' 2-1/16" |
| 1' 5-13/32" | 1' 5-1/4" | 1' 5-1/4" | 1' 4-7/8" |
| 1' 8-7/32" | 1' 8-1/16" | 1' 8-1/16" | 1' 7-11/16" |
| 1' 11-1/32" | 1' 10-7/8" | 1' 10-7/8" | 1' 10-1/2" |
| 2' 1-27/32" | 2' 1-11/16" | 2' 1-11/16" | 2' 1-5/16" |
| 2' 4-21/32" | 2' 4-1/2" | 2' 4-1/2" | 2' 4-1/8" |
| 2' 7-15/32" | 2' 7-5/16" | 2' 7-5/16" | 2' 6-15/16" |
| 2' 10-9/32" | 2' 10-1/8" | 2' 10-1/8" | 2' 9-3/4" |
| 3' 1-3/32" | 3' 0-15/16" | 3' 0-15/16" | 3' 0-9/16" |
| 3' 3-29/32" | 3' 3-3/4" | 3' 3-3/4" | 3' 3-3/8" |
| 3' 6-23/32" | 3' 6-9/16" | 3' 6-9/16" | 3' 6-3/16" |
| 3' 9-17/32" | 3' 9-3/8" | 3' 9-3/8" | 3' 9" |
| 4' 0-11/32" | 4' 0-3/16" | 4' 0-3/16" | 3' 11-13/16" |
| 4' 3-5/32" | 4' 3" | 4' 3" | 4' 2-5/8" |
| 4' 5-31/32" | 4' 5-13/16" | 4' 5-13/16" | 4' 5-7/16" |
| 4' 8-25/32" | 4' 8-5/8" | 4' 8-5/8" | 4' 8-1/4" |
| 4' 11-19/32" | 4' 11-7/16" | 4' 11-7/16" | 4' 11-1/16" |
| 5' 2-13/32" | 5' 2-1/4" | 5' 2-1/4" | 5' 1-7/8" |
| 5' 5-7/32" | 5' 5-1/16" | 5' 5-1/16" | 5' 4-11/16" |
| 5' 8-1/32" | 5' 7-7/8" | 5' 7-7/8" | 5' 7-1/2" |
| 5' 10-27/32" | 5' 10-11/16" | 5' 10-11/16" | 5' 10-5/16" |
| 6' 1-21/32" | 6' 1-1/2" | 6' 1-1/2" | 6' 1-1/8" |
| 6' 4-15/32" | 6' 4-5/16" | 6' 4-5/16" | 6' 3-15/16" |
| 6' 7-9/32" | 6' 7-1/8" | 6' 7-1/8" | 6' 6-3/4" |
| 6' 10-3/32" | 6' 9-15/16" | 6' 9-15/16" | 6' 9-9/16" |
| 7' 0-29/32" | 7' 0-3/4" | 7' 0-3/4" | 7' 0-3/8" |
| 7' 3-23/32" | 7' 3-9/16" | 7' 3-9/16" | 7' 3-3/16" |
| 7' 6-17/32" | 7' 6-3/8" | 7' 6-3/8" | 7' 6" |
| 7' 9-11/32" | 7' 9-3/16" | 7' 9-3/16" | 7' 8-13/16" |
| 8' 0-5/32" | 8' | 8' | 7' 11-5/8" |



Magenta = Channel
 Cyan = End Caps
 Green = Tape Light
 Yellow = Lens
 Red = Low Voltage Wire

Quantum 2 SQUARE 0808K

Surface Mount Installation

Please Note: If you purchased a Quantum 2 Fixture Kit (unassembled channel), see the Fixture Kit Channel Preparation section before beginning.

Tools Needed

- Power Drill
- Ruler/Straight Edge
- Fine Tip (#1) Phillips Screwdriver or Bit
- Pen/Pencil
- Wire Nuts/Butt Splices
- 3/8" Countersink Bit
- Drill Bits - 3/32"
- Wire Stripper
- Optional: Crimper (for Butt Splices)

Parts Included

- Assembled Channel
- 24v DC Driver
- CH-MOUNT-0808K
- Clips (x2)
- Drywall Anchors (x4)
- Screws (x4)

IMPORTANT!

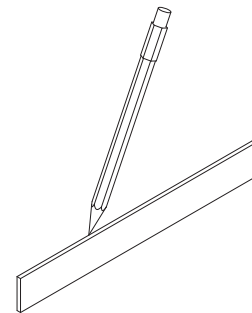
- Turn power **OFF** before installation!
- Longer channels will require two people to install.
- Have a question? Give us a call at 832-717-2710 or e-mail us at designs@ledinspirations.com.

Number of Clips to Use:

- 4' and under - 2 Clips
- 4' to 6' - 3 Clips
- 6' to 8' - 4 Clips

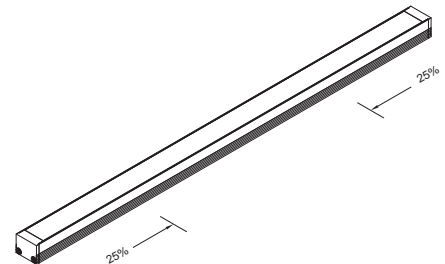
1 Draw a Guide Line

Use a pencil and straight edge or chalk line to lay out a guide line.



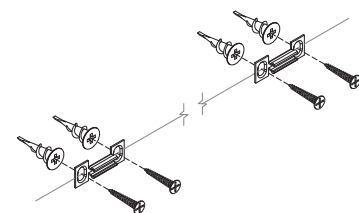
2 Clip Spacing

Clips should be installed 25% from each side of the channel. Example: For an 8' fixture, clips should be 2' in from the end of the channel.



3 Clip Installation

Install Drywall Anchors 28mm (1-1/8") center-to-center. Screw in clip, being careful to align it to the guide line.



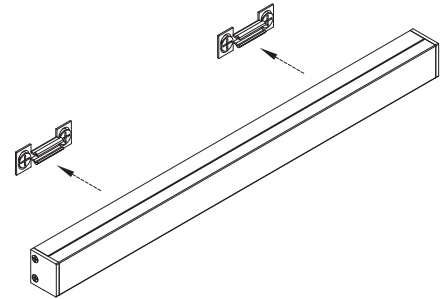
Quantum 2 SQUARE 0808K

Surface Mount Installation Cont.

Horizontal Mounting Cont.

4 Attach Channel

Press and snap the Quantum Channel onto the surface mount clips.



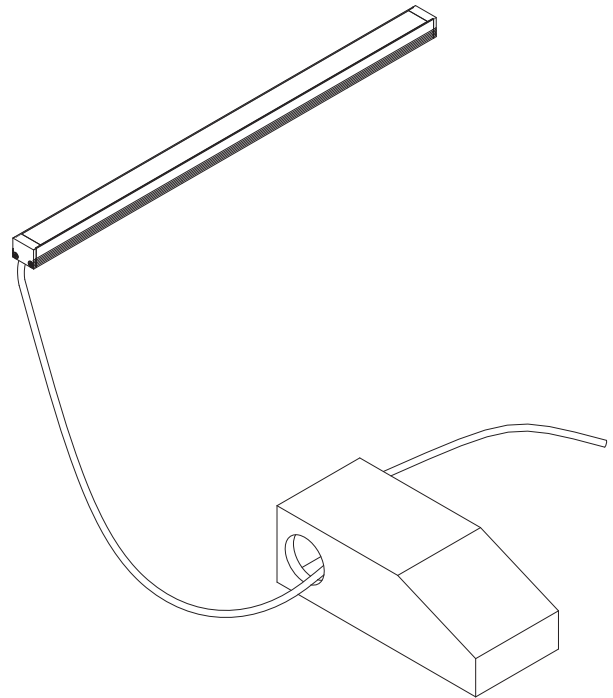
5 Run Low Voltage Wire to the 24v DC Driver

If the 24v DC driver is within 9-10 feet of the channel:
The Quantum High Density Tape Light comes with 10 feet of crystal clear wire that can be wired directly to the driver.

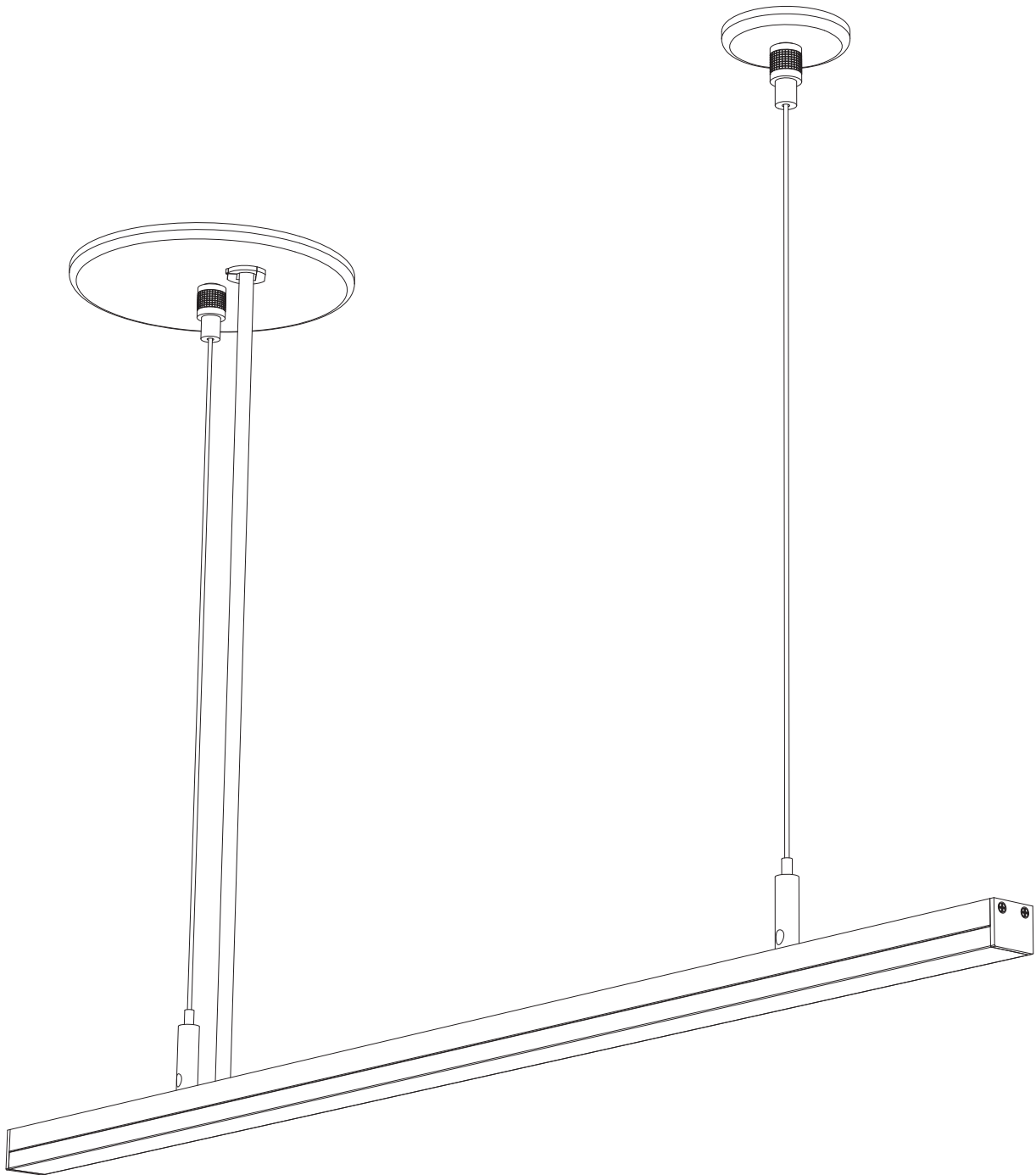
If the 24v DC driver is 10 feet or further from the channel:
Use at least 18 AWG low voltage wire to extend the 10 foot crystal clear wire. Wire the low voltage crystal clear wire into the 24v DC driver.

If the 24v DC driver is more than 30 feet away from the channel:
Please contact our Design Department at 832-717-2710 or designs@ledinspirations.com so we may recommend the correct wire size to use.

PRO TIP! The positive (hot) wire is marked with a white line on the crystal clear wire.



Quantum 2 SQUARE 0808K



Sections:

- Pg. 10 Canopy Junction Box Installation
- Pg. 11 Canopy-Drywall Ceiling Installation
- Pg. 12 Canopy-T-Bar/Drop Ceiling Installation
- Pg. 13 Cable/Gripper Spacing

Quantum 2 SQUARE 0808K

Suspension Installation Cont.

Canopy-Junction Box

Used with either Drywall or T-Bar/Drop Ceilings, this anchors the first end of the channel to a standard junction box and provides for electrical connections.

1 Install Cable

Insert the 1/16" cable into the Cable Coupler and pull completely through.

2 Attach Crossbar

Screw the 1/4" bolt completely into the crossbar and attach the crossbar to the junction box with the bolt sticking down.

3 Connect Wires

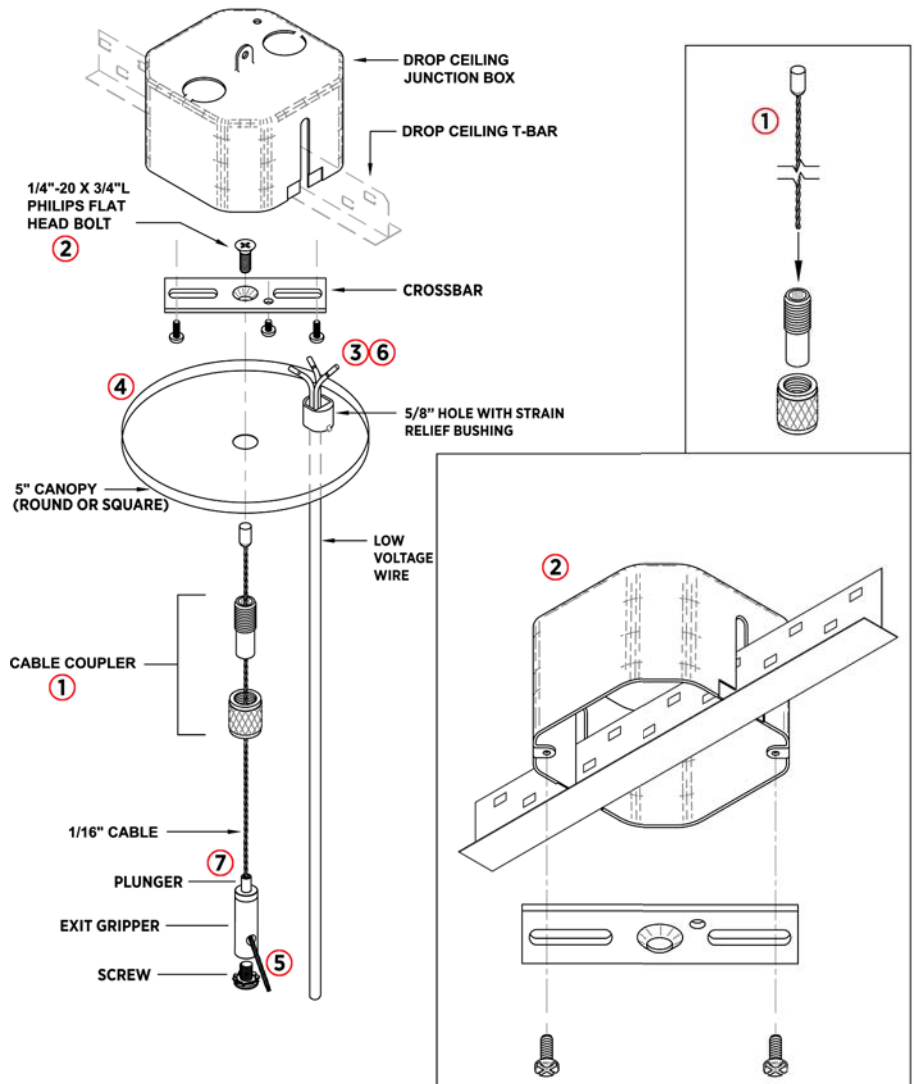
Run the low voltage wires from the channel up through the 5/8" hole and connect to the low voltage wires from the driver.

4 Attach Canopy

Position the center hole of the canopy onto the 1/4" bolt and screw the cable coupler (with 1/16" cable installed) onto the 1/4" bolt.

5 Install Exit Gripper

Loosen the screw in the bottom of the Exit Gripper and slide into the slot in the rear of the Quantum channel.



NOTE: SCREWS FOR THE EXIT GRIPPERS ARE PRE-INSTALLED INTO THE REAR SLOTS OF CUSTOM CHANNELS. REMOVE THE SCREWS THAT COME INSTALLED IN THE EXIT GRIPPERS AND SCREW THE EXIT GRIPPERS INTO THE PRE-INSTALLED SCREWS.

6 Install Strain Relief Bushing

Push most of the wire slack up into the junction box. Clip the Strain Relief Bushing onto the wire and push up into the 5/8" hole to secure.

7 Insert and Trim Cable

Push down on the top "plunger" of the Exit Gripper to release the locking mechanism, and slide the cable down and out through the side exit hole.

Once the fixture is leveled, trim away excess cable.

Quantum 2 SQUARE 0808K

Suspension Installation Cont.

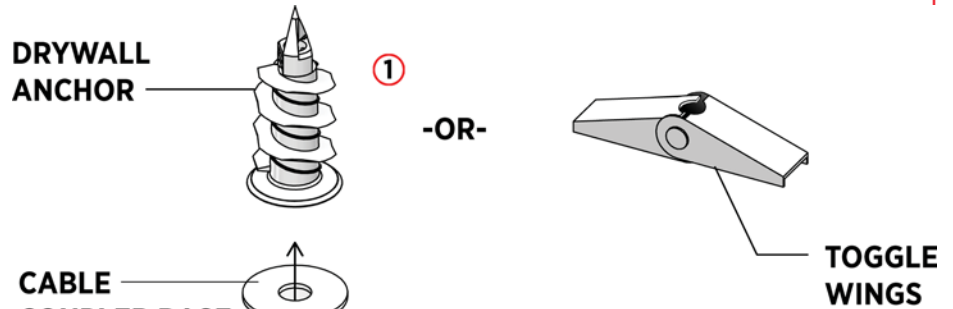
Canopy-Drywall Ceiling

Used with the Canopy-Junction Box on Page 10 to anchor the second end of the Quantum channel to a Drywall Ceiling.

1 Install Anchor

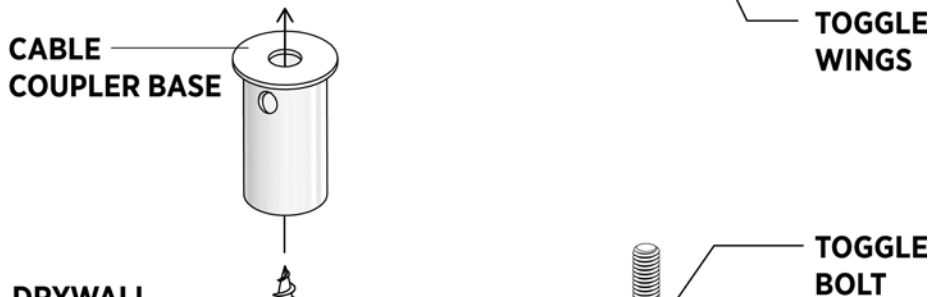
Screw Drywall Anchor into ceiling.

NOTE: FOR APPLICATIONS WHERE A DRYWALL ANCHOR IS NOT SUITABLE, THE TOGGLE BOLT/WINGS MAY BE USED.



2 Install Cable Coupler Base

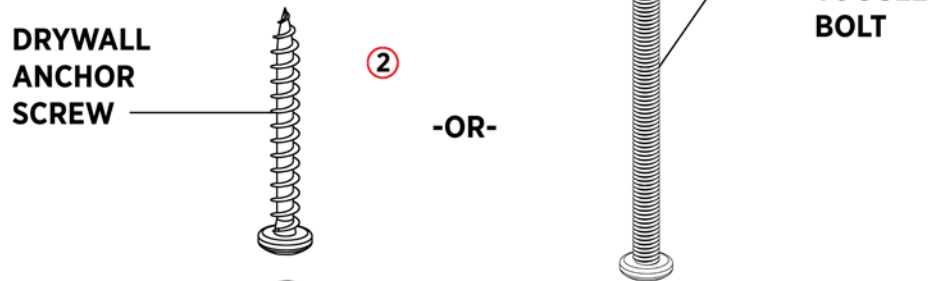
Insert the Drywall Anchor Screw into the Cable Coupler Base and screw into the Drywall Anchor.



3 Install Cable

Insert the 1/16" cable into the Cable Coupler Cap and pull completely through.

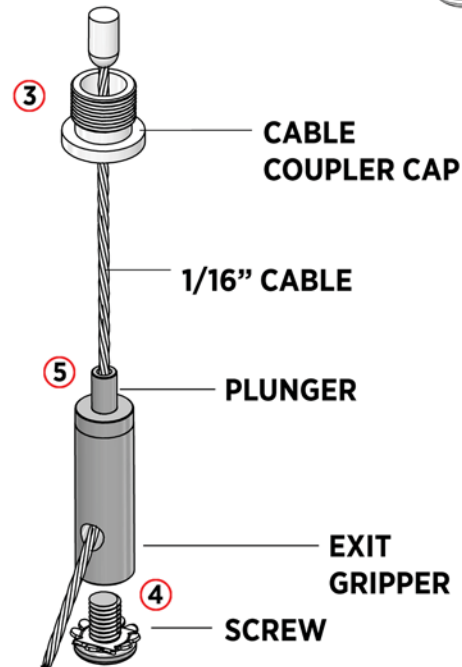
Screw the Cable Coupler Cap into the Cable Coupler Base.



4 Install Exit Gripper

Loosen the screw in the bottom of the Exit Gripper and slide into the slot in the rear of the Quantum channel.

NOTE: SCREWS FOR THE EXIT GRIPPERS ARE PRE-INSTALLED INTO THE REAR SLOTS OF CUSTOM CHANNELS. REMOVE THE SCREWS THAT COME INSTALLED IN THE EXIT GRIPPERS AND SCREW THE EXIT GRIPPERS INTO THE PRE-INSTALLED SCREWS.



5 Insert and Trim Cable

Push down on the top "plunger" of the Exit Gripper to release the locking mechanism, and slide the cable down and out through the side exit hole.

Once the fixture is leveled, trim away excess cable.

Quantum 2 SQUARE 0808K

Suspension Installation Cont.

Canopy-T-Bar/Drop Ceiling

Used with the Canopy-Junction Box on Page 10 to anchor the second end of the Quantum channel to a T-Bar/Drop Ceiling.

1 Install Clip

Attach IDS clip onto T-Bar by snapping the two pieces together.

NOTE: The 1/4" Bolt should be pre-installed into the IDS clip. If not, screw the 1/4" Bolt into the IDS clip before attaching to T-Bar.

2 Install Cable

Insert the 1/16" cable into the Cable Coupler and pull completely through.

3 Attach Canopy

Position the hole of the canopy onto the 1/4" bolt and screw the cable coupler (with 1/16" cable installed) onto the 1/4" bolt.

4 Install Exit Gripper

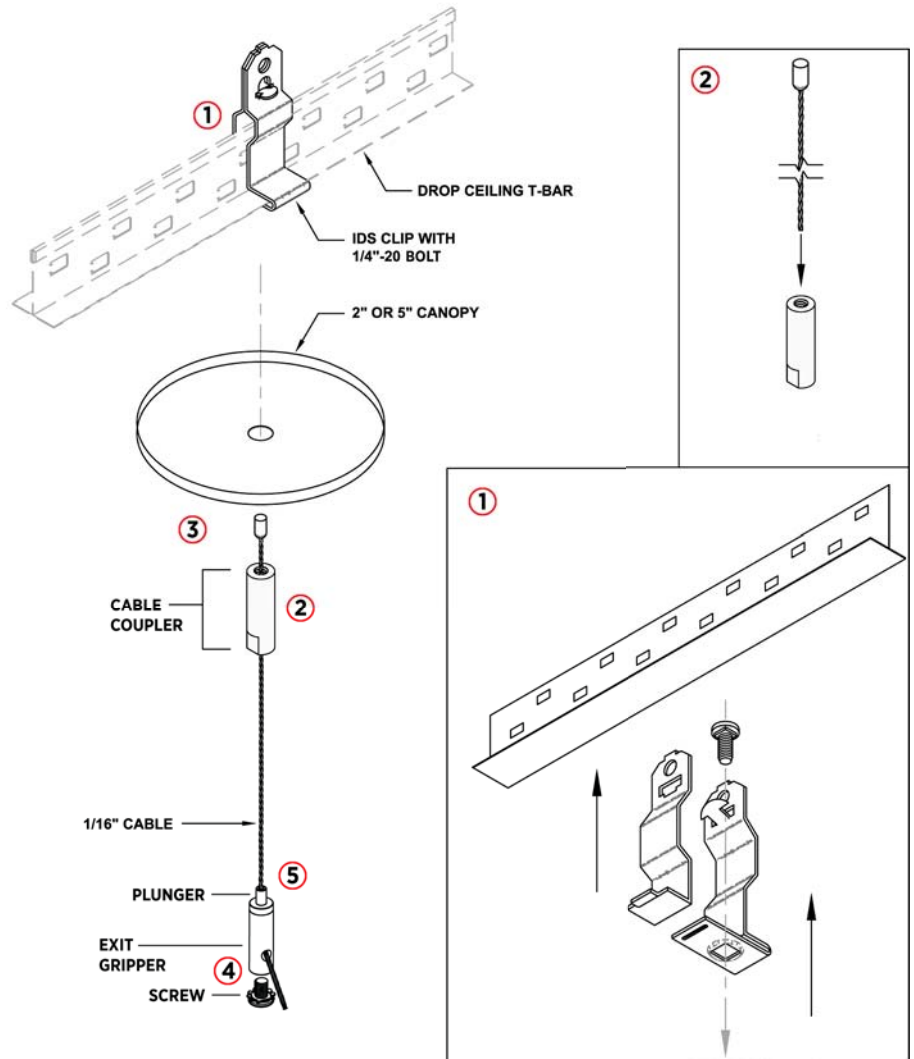
Loosen the screw in the bottom of the Exit Gripper and slide into the slot in the rear of the Quantum channel.

NOTE: SCREWS FOR THE EXIT GRIPPERS ARE PRE-INSTALLED INTO THE REAR SLOTS OF CUSTOM CHANNELS. REMOVE THE SCREWS THAT COME INSTALLED IN THE EXIT GRIPPERS AND SCREW THE EXIT GRIPPERS INTO THE PRE-INSTALLED SCREWS.

5 Insert and Trim Cable

Push down on the top "plunger" of the Exit Gripper to release the locking mechanism, and slide the cable down and out through the side exit hole.

Once the fixture is leveled, trim away excess cable.



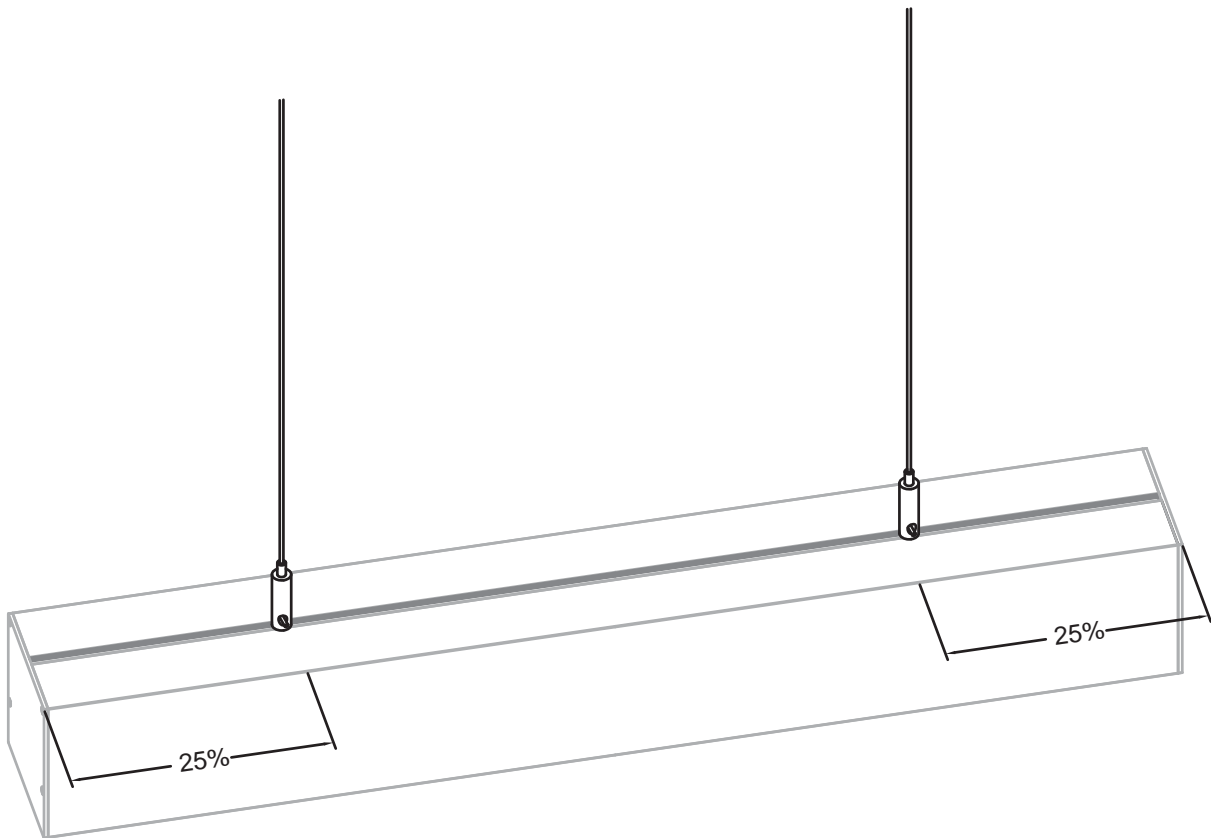
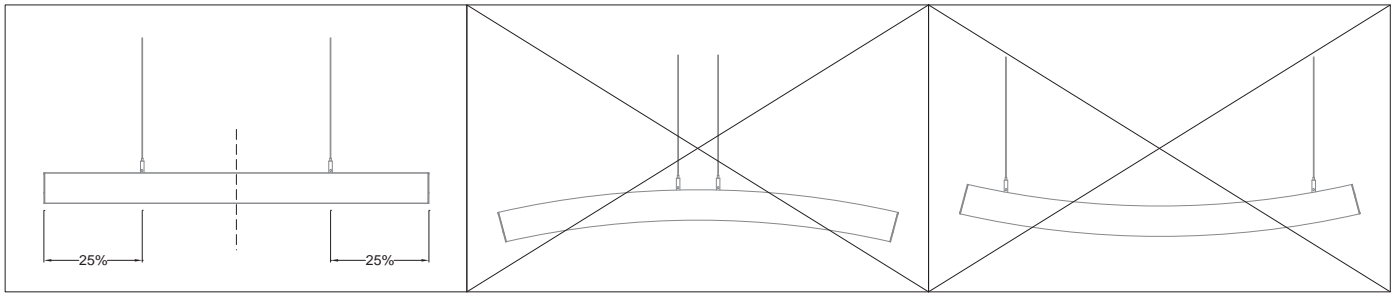
Quantum 2 SQUARE 0808K

Suspension Installation Cont.

Cable/Gripper Spacing

* Cable/Gripper Spacing

Make sure the Exit Grippers are secured to the channel spaced 25% from each end. This will ensure that the channel will not sag or bow.



Quantum 2 SQUARE 0808K

NOTES

Quantum 2 SQUARE 0808K

NOTES

Quantum 2 SQUARE 0808K

NOTES