

Inspire LightLine™ COB 5.5

LED Tape Light

SPECIFICATIONS

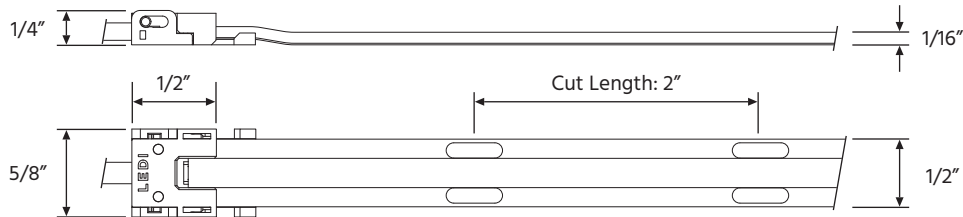
Input Power	24VDC
Watts per Foot	5.5
Max Run Length	16.5FT
Cut Length	Every 2"
Dimensions	1/2" x 1/16" (W x H; tape light only)
Compatible Connectors	Zeus HD Connectors and Extensions
Max Operating Temp.	-22°F to 140°F (-30°C to 60°C)
Max Ambient Temp.	-4°F to 113°F (-20°C to 45°C)
Beam Angle	120°
Lamp Life	50,000 Hours
IP Rating	IP20
Certifications	UL Listed (E467147)



Inspire LightLine COB 5.5 shown with the Zeus HD Connector (specified separately).

PERFORMANCE

Color Temp.	Lumens/FT	Efficacy	CRI	Rf	Rg
1800K	269	49 lm/W	90+	88	95
2100K	356	65 lm/W	90+	92	97
2700K	459	83 lm/W	90+	91	99
3000K	458	83 lm/W	90+	90	101
3500K	489	89 lm/W	90+	90	100
4000K	528	96 lm/W	90+	86	95



ORDERING

Series	Watts/FT	Color Temperature	Length
CB1	55		
CB1 LightLine COB	55 5.5 Watts/FT	18 1800K 21 2100K 27 2700K 30 3000K 35 3500K 40 4000K	16.5 16.5FT Roll CUSTOM Custom Length ^{1,2}

1 Custom lengths may not exceed 16.5FT (198")
 2 Because of the cut length, some lengths may be shorter than the specified length.



CONTACT LEDI

www.LEDI.LIGHTING
 Phone: (832) 717-2710
 Quotation requests: designs@ledinspirations.com

Version 10152021. Information subject to change without notice.
 Copyright © 2021 LED Inspirations, LLC. All rights reserved.

Project

Type

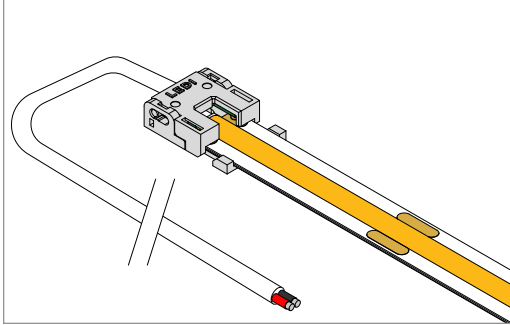
QTY

Signature

Inspire LightLine™ COB 5.5

LED Tape Light

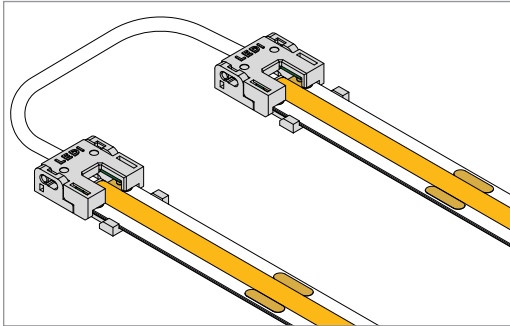
CONNECTORS & EXTENSIONS



Zeus HD Hardwire Connectors

Connects the LED tape light to an LED driver.

Part Number	Description
V5-CON-HW-10	10FT, 18AWG, CL2 In-Wall Rated.
V5-CON-HW-25	25FT, 18AWG, CL2 In-Wall Rated.
V5-CON-HW-PL-10	10FT, 18AWG, CL3P Plenum & In-Wall Rated.
V5-CON-HW-PL-25	25FT, 18AWG, CL3P Plenum & In-Wall Rated.



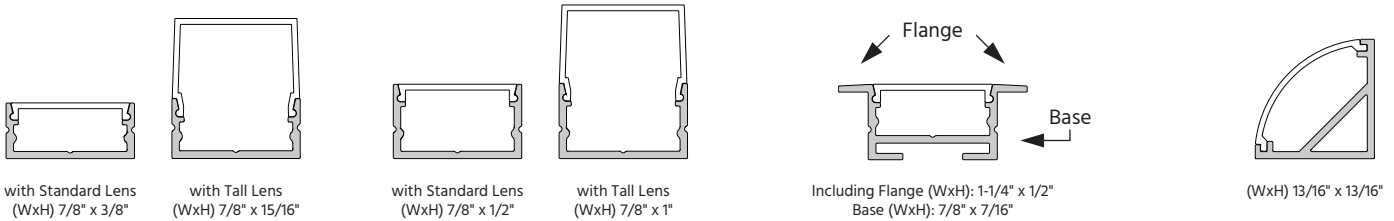
Zeus HD Extensions

Connects two pieces of LED tape light.

Part Number	Description
V5-EXT-2IN	2 Inch, 22AWG, UL2464 Wire.
V5-EXT-4IN	4 Inch, 22AWG, UL2464 Wire.
V5-EXT-1FT	1FT, 22AWG, UL2464 Wire.
V5-EXT-3FT	3FT, 22AWG, UL2464 Wire.
V5-EXT-6FT	6FT, 22AWG, UL2464 Wire.

INSPIRE CHANNEL

See Inspire Channel spec sheets for part numbers and ordering options.



with Standard Lens
(WxH) 7/8" x 3/8"

with Tall Lens
(WxH) 7/8" x 15/16"

with Standard Lens
(WxH) 7/8" x 1/2"

with Tall Lens
(WxH) 7/8" x 1"

Including Flange (WxH): 1-1/4" x 1/2"
Base (WxH): 7/8" x 7/16"

(WxH) 13/16" x 13/16"

Inspire Slim Channel

Inspire Square Channel

Inspire Recessed Channel

Inspire Angled Channel



CONTACT LEDI

www.LEDI.LIGHTING
Phone: (832) 717-2710
Quotation requests: designs@ledinspirations.com

Version 10152021. Information subject to change without notice.
Copyright © 2021 LED Inspirations, LLC. All rights reserved.

Project

Type

QTY

Signature

Inspire LightLine™ COB 5.5

LED Tape Light

LED DRIVERS

See driver spec sheets for additional information.

DimALL™ 120-277V Dimmable Drivers

Part Number	Capacity	Class 2
DR-30W-24V-DIMALL	30W	Yes
DR-60W-24V-DIMALL	60W	Yes
DR-96W-24V-DIMALL	96W	Yes
DR-150W-24V-DIMALL	150W	No
DR-192W-24V-DIMALL	192W	Yes
DR-200W-24V-DIMALL	200W	No
DR-288W-24V-DIMALL	288W	Yes
DR-300W-24V-DIMALL	300W	No

Hybrid MLV & Incandescent Dimmable 120V Drivers

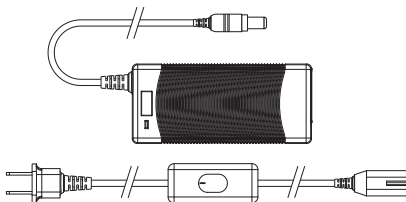
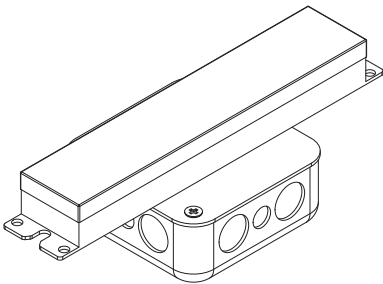
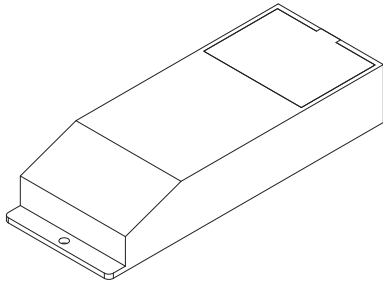
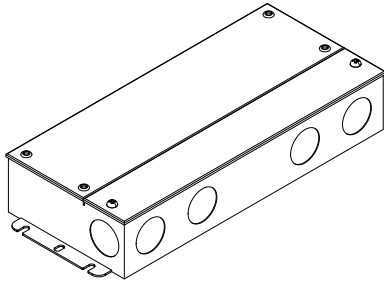
Part Number	Capacity	Class 2
DR-20W-24VDC-120V-2-MLV-m	20W	Yes
DR-40W-24VDC-120V-2-MLV-m	40W	Yes
DR-60W-24VDC-120V-2-MLV-m	60W	Yes
DR-96W-24VDC-120V-2-MLV-m	96W	Yes

Electronic 0-10V Dimmable 120-277V Drivers

Part Number	Capacity	Class 2
DR-60W-24VDC-U-2-10-c	60W	Yes
DR-100W-24VDC-U-2-10-c	100W	Yes
DR-200W-24VDC-U-2-10-g	200W	Yes

Electronic Plug-In Non-Dimmable 120-240V Drivers

Part Number	Capacity	Class 2
DR-36W-24VDC-120V-2-ND-e	30W	Yes
DR-96W-24VDC-120V-2-ND-e	96W	Yes
DR-144W-24VDC-120V-1-ND-e	144W	No



CONTACT LED I

www.LED.I.LIGHTING
 Phone: (832) 717-2710
 Quotation requests: designs@ledinspirations.com

Version 10152021. Information subject to change without notice.
 Copyright © 2021 LED Inspirations, LLC. All rights reserved.

Project

Type

QTY

Signature
