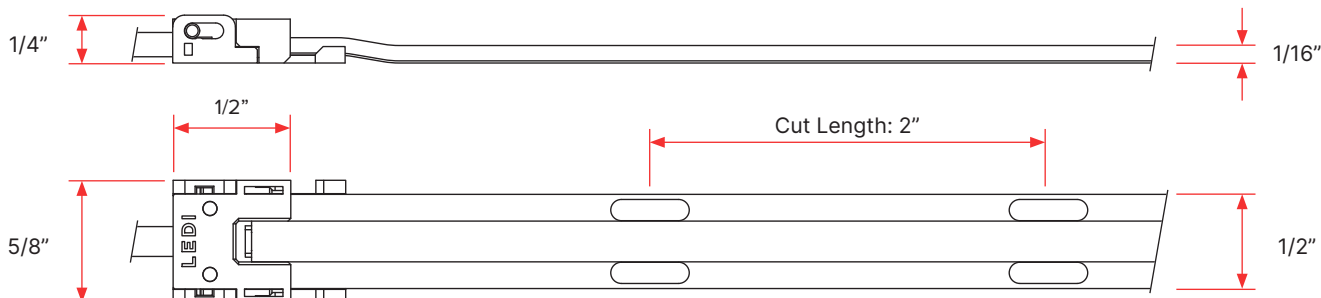
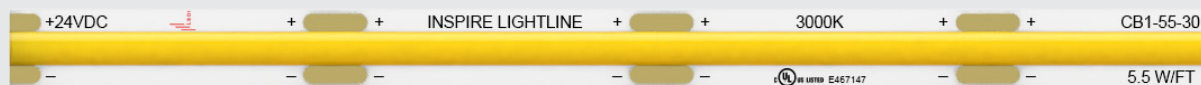


# Inspire LightLine COB 5.5

LED Tape Light



Inspire LightLine COB 5.5 shown with the Zeus HD Connector (specified separately).

## ORDERING

Series	Watts/FT	Color Temperature	Length
<b>CB1</b>	<b>55</b>		
CB1 LightLine COB	55 5.5 Watts/FT	<b>18</b> 1800K <b>21</b> 2100K <b>27</b> 2700K <b>30</b> 3000K <b>35</b> 3500K <b>40</b> 4000K	<b>16.5</b> 16.5FT Roll <b>CUSTOM</b> Custom Length <sup>1,2</sup>

<sup>1</sup> Custom lengths may not exceed 16.5FT (198")  
<sup>2</sup> Because of the cut length, some lengths may be shorter than the specified length.

## SPECIFICATIONS

<b>Input Power</b>	24VDC
<b>Watts per Foot</b>	5.5
<b>Max Run Length</b>	16.5FT
<b>Cut Length</b>	Every 2"
<b>Dimensions</b>	1/2" x 1/16" (W x H; tape light only)
<b>Compatible Connectors</b>	Zeus HD Connectors and Extensions
<b>Max Operating Temp.</b>	-22°F to 140°F (-30°C to 60°C)
<b>Max Ambient Temp.</b>	-4°F to 113°F (-20°C to 45°C)
<b>Beam Angle</b>	120°
<b>Lamp Life</b>	50,000 Hours
<b>IP Rating</b>	IP20
<b>Certifications</b>	UL Listed (E467147)

## PERFORMANCE

Color Temp.	Lumens/FT	Efficacy	CRI	Rf	Rg
1800K	269	49 lm/W	90+	88	95
2100K	356	65 lm/W	90+	92	97
2700K	459	83 lm/W	90+	91	99
3000K	458	83 lm/W	90+	90	101
3500K	489	89 lm/W	90+	90	100
4000K	528	96 lm/W	90+	86	95



### CONTACT LEDI

[www.LEDI.LIGHTING](http://www.LEDI.LIGHTING)  
 Phone: (832) 717-2710  
 Quotation requests: [designs@ledinspirations.com](mailto:designs@ledinspirations.com)

Version 08252021. Information subject to change without notice.  
 Copyright © 2021 LED Inspirations, LLC. All rights reserved.

Project

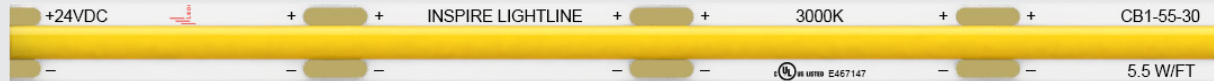
Type

QTY

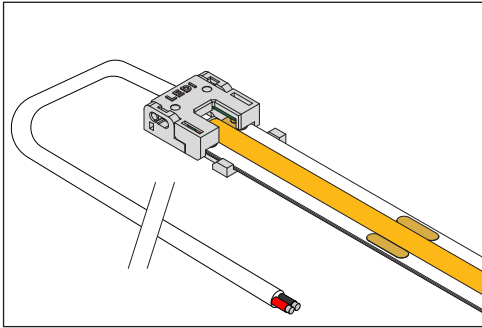
Notes

# Inspire LightLine COB 5.5

LED Tape Light



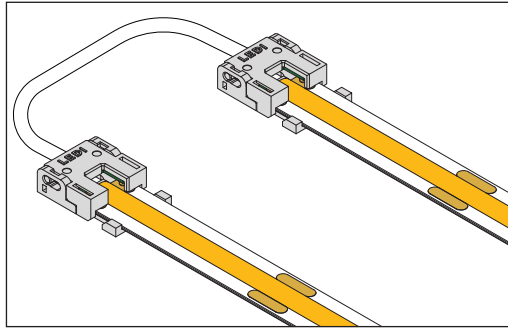
## CONNECTORS & EXTENSIONS



### Zeus HD Hardwire Connectors

Connects the LED tape light to an LED driver.

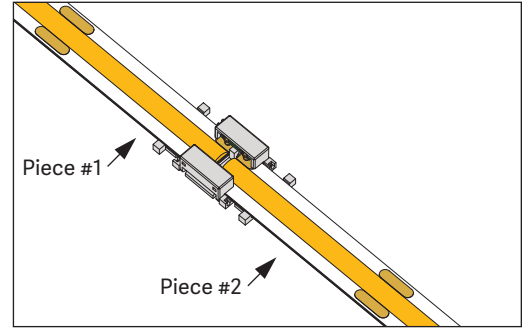
Part Number	Description
V5-CON-HW-10	10FT, 18AWG, CL2 In-Wall Rated.
V5-CON-HW-25	25FT, 18AWG, CL2 In-Wall Rated.
V5-CON-HW-PL-10	10FT, 18AWG, CL3P Plenum & In-Wall Rated.
V5-CON-HW-PL-25	25FT, 18AWG, CL3P Plenum & In-Wall Rated.



### Zeus HD Extensions

Connects two pieces of LED tape light.

Part Number	Description
V5-EXT-2IN	2 Inch, 22AWG, UL2464 Wire.
V5-EXT-4IN	4 Inch, 22AWG, UL2464 Wire.
V5-EXT-1FT	1FT, 22AWG, UL2464 Wire.
V5-EXT-3FT	3FT, 22AWG, UL2464 Wire.
V5-EXT-6FT	6FT, 22AWG, UL2464 Wire.



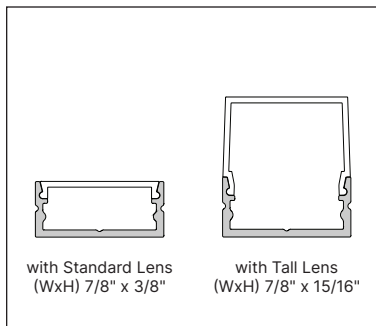
### Zeus HD Splice Connector

Seamlessly connects two pieces of LED tape light.

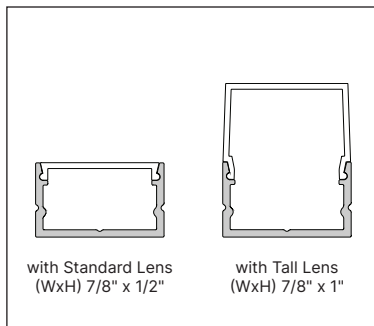
Part Number
V5-CON-SPLICE

## INSPIRE CHANNEL

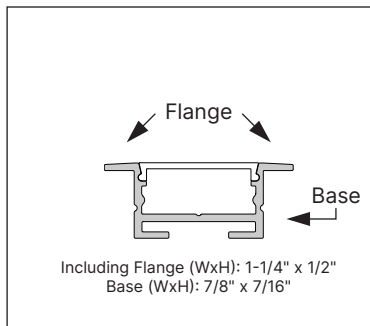
See Inspire Channel spec sheets for part numbers and ordering options.



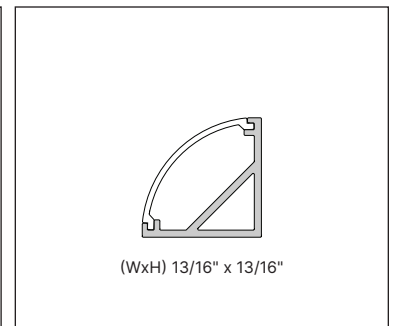
Inspire Slim Channel



Inspire Square Channel



Inspire Recessed Channel



Inspire Angled Channel



### CONTACT LED I

www.LEDI.LIGHTING  
 Phone: (832) 717-2710  
 Quotation requests: designs@ledinspirations.com

Version 08252021. Information subject to change without notice.  
 Copyright © 2021 LED Inspirations, LLC. All rights reserved.

Project	
Type	
QTY	
Notes	

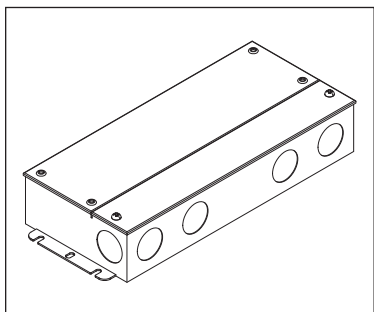
# Inspire LightLine COB 5.5

LED Tape Light



## LED DRIVERS

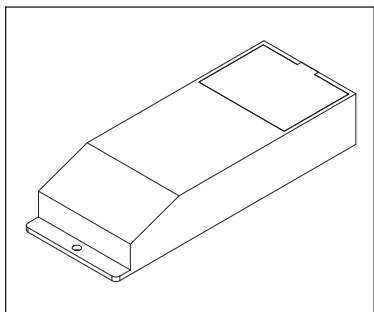
See driver spec sheets for additional information.



### DimALL™ 120-277V Dimmable Drivers

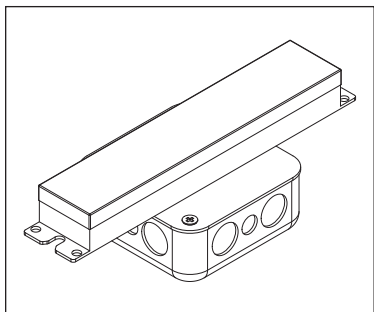
Part Number	Capacity	Class 2
DR-30W-24V-DIMALL	30W	Yes
DR-60W-24V-DIMALL	60W	Yes
DR-96W-24V-DIMALL	96W	Yes
DR-150W-24V-DIMALL	150W	No
DR-192W-24V-DIMALL	192W	Yes

Part Number	Capacity	Class 2
DR-200W-24V-DIMALL	200W	No
DR-288W-24V-DIMALL	288W	Yes
DR-300W-24V-DIMALL	300W	No



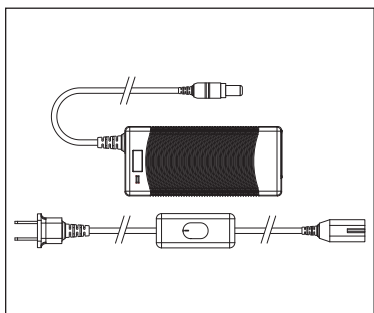
### Hybrid MLV & Incandescent Dimmable 120V Drivers

Part Number	Capacity	Class 2
DR-20W-24VDC-120V-2-MLV-m	20W	Yes
DR-40W-24VDC-120V-2-MLV-m	40W	Yes
DR-60W-24VDC-120V-2-MLV-m	60W	Yes
DR-96W-24VDC-120V-2-MLV-m	96W	Yes



### Electronic 0-10V Dimmable 120-277V Drivers

Part Number	Capacity	Class 2
DR-60W-24VDC-U-2-10-c	60W	Yes
DR-100W-24VDC-U-2-10-c	100W	Yes
DR-200W-24VDC-U-2-10-g	200W	Yes



### Electronic Plug-In Non-Dimmable 120-240V Drivers

Part Number	Capacity	Class 2
DR-36W-24VDC-120V-2-ND-e	30W	Yes
DR-96W-24VDC-120V-2-ND-e	96W	Yes
DR-144W-24VDC-120V-1-ND-e	144W	No



### CONTACT LED I

www.LEDI.LIGHTING  
 Phone: (832) 717-2710  
 Quotation requests: [designs@ledinspirations.com](mailto:designs@ledinspirations.com)

Version 08252021. Information subject to change without notice.  
 Copyright © 2021 LED Inspirations, LLC. All rights reserved.

Project	
Type	
QTY	
Notes	