



Casambi™ PWM Bluetooth Decoder

#CONT-CCS-PCM

Specification Sheet



Type

Control Part

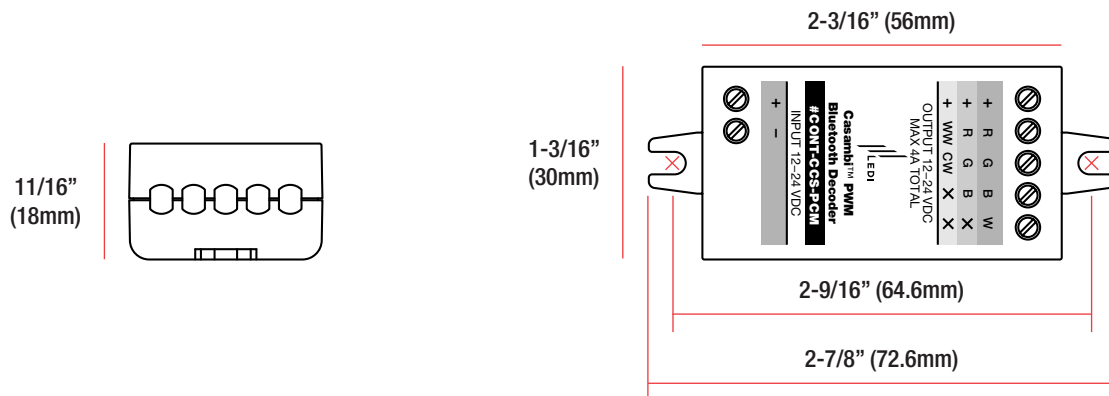
Driver Part

CONT-CCS-PCM

Specifications

Input Voltage	12-24VDC (requires an electronic LED driver; sold separately—see next page)	Communication	Bluetooth Mesh
Max Input Current	4.167A (100W @ 24VDC)	Max Wire Size	14AWG (Input & Output)
Output Voltage	12-24VDC	Dimensions (LxWxH)	2-7/8" x 1-3/16" x 11/16" (72.6mm x 30mm x 18mm)
Max Output Current	4.167A (100W @ 24VDC)	Max Ambient Temp.	-13°F to 113°F (-25°C to 45°C)
Dimming	PWM (Pulse Width Modulation)	Operating Temperature	-13°F to 167°F (-25°C to 75°C)
Operating Frequencies	2.4 to 2.483 GHz	Weight	0.8 oz (23g)
Product Color	White	Certifications	UL Listed, FCC, IC, CE
Setup & Control	via Casambi App (Available for free on iOS & Android devices)	Warranty	5 Year Limited
Range*	up to 164FT (see note below)	Environment	IP20 Indoor, Dry

* The range between multiple decoders and a Bluetooth enabled device (i.e. smartphone or tablet) may vary depending on obstacles and general surroundings. It is best practice to install the decoders in open air spaces to ensure optimal communication between devices. Should any obstacles (e.g. thick concrete walls or floors) exist between any decoders and devices, testing prior to installation is encouraged. See the product installation instructions for additional details.



Other Compatible Casambi Controls

Sold separately. See the specific product spec sheet for additional details.

Casambi Wireless Wall Controller: **CONT-CCS-WSC**

Ordering an LED Driver

Electronic 0-10V Dimmable 120V Drivers (UL Listed & UL Recognized)

- 25-Watt (UL Recognized)*: **DR-25W-24VDC-DIM10**
- 60-Watt (UL Recognized)*: **DR-60W-24VDC-DIM10**
- 60-Watt (UL Listed)*: **DR-60W-24VDC-U-2-10-c**
- 100-Watt (UL Listed)*: **DR-100W-24VDC-U-2-10-c**
- 100-Watt (UL Recognized)*: **DR-100W-24VDC-DIM10**

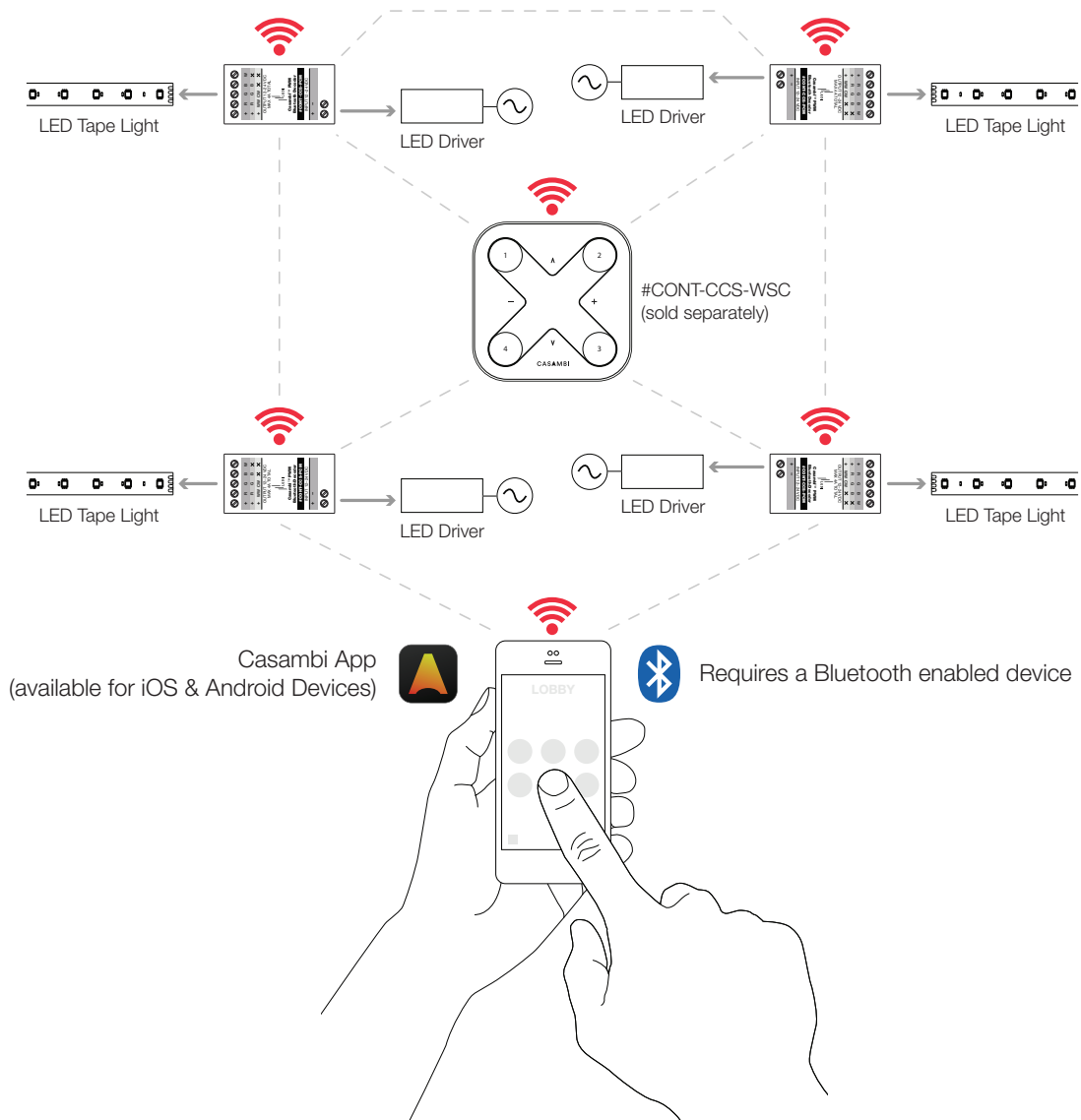
*Class 2 compliant LED driver.

Electronic Plug-In Non-Dimmable 120-240V Drivers (UL Listed)

- 36-Watt*: **DR-36W-24VDC-120V-2-ND-e**
- 96-Watt*: **DR-96W-24VDC-120V-2-ND-e**

*Class 2 compliant LED driver.

Complete System Overview



Sample Wiring Diagrams

See the product installation instructions for additional details.

