



DimALL™ Dimmable Drivers

120-277V AC LED Drivers

Fixture Type	
Part Number	
Quantity	
Project Name	
Signature	

Quickship Products

Products available to ship within 48-hours (excluding weekends and holidays).

Part Number	Capacity	Part Number	Capacity
DR-30W-24V-DIMALL	30W	DR-192W-24V-DIMALL	(2) 96W
DR-60W-24V-DIMALL	60W	DR-200W-24V-DIMALL	200W
DR-96W-24V-DIMALL	96W	DR-288W-24V-DIMALL	(3) 96W
DR-150W-24V-DIMALL	150W	DR-300W-24V-DIMALL	300W



Specifications

	30 Watt	60 Watt	96 Watt	150 Watt	192 Watt (x2 96 Watt Outputs)	200 Watt	288 Watt (x3 96 Watt Outputs)	300 Watt
Max Load	Acceptable load for any driver installed in an environment with an ambient temperature <u>below 85°F</u> .							
	30 Watts	60 Watts	96 Watts	150 Watts	96 Watts per Output	200 Watts	96 Watts per Output	300 Watts
	Recommended if the driver is installed in an environment with an ambient temperature <u>between 85°F to 120°F</u> .							
	27 Watts	54 Watts	86 Watts	135 Watts	86 Watts per Output	180 Watts	86 Watts per Output	270 Watts
	Recommended if the driver is installed in an environment with an ambient temperature <u>above 120°F</u> .							
	24 Watts	48 Watts	76 Watts	120 Watts	76 Watts per Output	160 Watts	76 Watts per Output	240 Watts
Minimum Load	3 Watts	6 Watts	10 Watts	15 Watts	10 Watts per Output	20 Watts	10 Watts per Output	30 Watts
Class 2 Compliant	Yes	Yes	Yes	No	Yes	No	Yes	No
Average Efficiency	80%	84%	86%	87%	89%	88%	91%	92%
Dimensions (LxWxH)	6-1/2" x 3-5/8" x 1-5/8"	7-3/8" x 3-5/8" x 1-5/8"	8-11/16" x 3-11/16" x 1-11/16"	10-1/4" x 4-1/16" x 1-13/16"	10-15/16" x 4-5/16" x 1-3/4"	10-1/4" x 4-1/16" x 1-13/16"	11-7/8" x 4-5/16" x 1-3/4"	10-15/16" x 4-1/4" x 1-13/16"
Weight	2 lbs. 1.5 oz.	2 lbs. 6.8 oz.	2 lbs. 13.9 oz.	3 lbs. 15.5 oz.	5 lbs. 1 oz.	3 lbs. 15.5 oz.	5 lbs. 8 oz.	4 lbs. 6.5 oz.
Power Factor	0.98 @ 120V 0.95 @ 277V	0.98 @ 120V 0.95 @ 277V	0.98 @ 120V 0.95 @ 277V	0.99 @ 120V 0.94 @ 277V	0.99 @ 120V 0.94 @ 277V	0.98 @ 120V 0.95 @ 277V	0.99 @ 120V 0.95 @ 277V	0.99 @ 120V 0.95 @ 277V
Input Voltage	120-277V AC							
Output Voltage	24V DC							
Dimming	0-10V, ELV, MLV, Incandescent, CFL/ LED (See pages 2-3 for a list of recommended dimmers)							
Ambient Temp. Rating	-22°F to 176°F							
Operating Temp. Rating	-22°F to 140°F							
Wire Gauge Sizes	18AWG (input and output)							
Protections	Short Circuit, Overload, Over Temperature							
Environment	Indoor or Outdoor							
Certifications & Compliance	UL Listed (E501433), UL8750, FCC Part 15 Class B, Type HL, RoHS							



DimALL™ Dimmable Drivers

120-277V AC LED Drivers

Fixture Type	
Part Number	
Quantity	
Project Name	
Signature	

Recommended Dimmers (Page 1 of 2)

Dimmers tested by manufacturer. All dimmers listed meet the driver manufacturer's dimming and performance standards. Dimming performance may vary. Additional dimmers may be compatible with these drivers; however, may not have been tested by the manufacturer.

Dimmer Model	Compatible Part Numbers	Dimming Type	Dimming Range (lumen output)
Lutron Ariadni / Toggle	AYCL-153P	CFL/LED	100% to 1%
	TGCL-153P	CFL/LED	100% to 1%
	TG-600P	Incandescent	100% to 1%
	TG-10P	Incandescent	100% to 1%
Lutron Caseta	PD-6WCL	CFL/LED	100% to 1%
	PD-5NE	Phase-Selectable	100% to 1%
Lutron Diva	DVRP-253P	ELV	100% to 1%
	DVCL-153P	CFL/LED	100% to 1%
	DVWCL-153	CFL/LED	100% to 1%
	DVSCCL-153P	CFL/LED	100% to 1%
	DVSCCL-253P	CFL/LED	100% to 1%
Lutron Lumea	DV-600P	Incandescent	100% to 1%
	LECL-153P	CFL/LED	100% to 1%
Lutron Skylark	SELV-300P	ELV	100% to 1%
	CTRP-253P	ELV	100% to 1%
	CTCL-153P	CFL/LED	100% to 1%
	CTCL-153P	CFL/LED	100% to 1%
	CT-600P	Incandescent	100% to 1%
	CT-103P	Incandescent	100% to 1%
	S-600P	Incandescent	100% to 1%
	SLV-600P	Incandescent/MLV	100% to 1%
	SCL-153P	CFL/LED	100% to 1%
Lutron Maestro	MSELV-600M	ELV	100% to 1%
	MRF2-ELV	ELV	100% to 1%
	MA-PRO	Phase-Selectable	100% to 1%
	MACL-153M	CFL/LED	100% to 1%
	MSCL-OP153M	CFL/LED	100% to 1%
	MRF2-6CL	CFL/LED	100% to 1%
	MIR-600M	Incandescent	100% to 1%
	MSC-600	Incandescent	100% to 1%
	MSC-1000	Incandescent	100% to 1%
	MA-600	Incandescent	100% to 1%
	MA-1000	Incandescent	100% to 1%
MRF2-6ND	Incandescent	100% to 1%	



DimALL™ Dimmable Drivers

120-277V AC LED Drivers

Fixture Type	
Part Number	
Quantity	
Project Name	
Signature	

Recommended Dimmers (Page 2 of 2)

Dimmers tested by manufacturer. All dimmers listed meet the driver manufacturer's dimming and performance standards. Dimming performance may vary. Additional dimmers may be compatible with these drivers; however, may not have been tested by the manufacturer.

Dimmer Model	Compatible Part #'s	Dimming Type	Dimming Range (lumen output)
Legrand Wide Slide Trademaster	WSCL453PTC	CFL/LED	100% to 1%
Legrand LS Trademaster	LSCL453PI	CFL/LED	100% to 1%
Legrand softTap	ADTP700MMTU	Incandescent/MLV	100% to 1%
Legrand adorne Paddle	ADPD453L	Incandescent	100% to 1%
Legrand Radiant Paddle	RHCL453PW	Incandescent/MLV	100% to 1%
GE Z-Wave Plus Wireless	14294	Incandescent	100% to 1%
Leviton Decora Universal	DSM10-1LZ	Incandescent/MLV	100% to 1%
Leviton Decora Smart	DW6HD-1BZ	Incandescent	100% to 1%
	DZ6HD	Incandescent	100% to 1%
Leviton Decora SureSlide	6674	Incandescent/MLV	100% to 1%
	6672	Incandescent/MLV	100% to 1%
Leviton Decora TrueTouch	TTI06-1LZ	Incandescent	100% to 1%
Leviton Vizia	VPI06-1LZ	Incandescent	100% to 1%
Leviton IllumaTech	IPL06	Incandescent	100% to 1%
Leviton Trimatron	6602	Incandescent	100% to 1%
	6603	Incandescent	100% to 1%
Leviton Universal TableTop	TBL03	Incandescent	100% to 1%
Crestron	CLW-DELVEX-P-W-S	ELV	100% to 1%

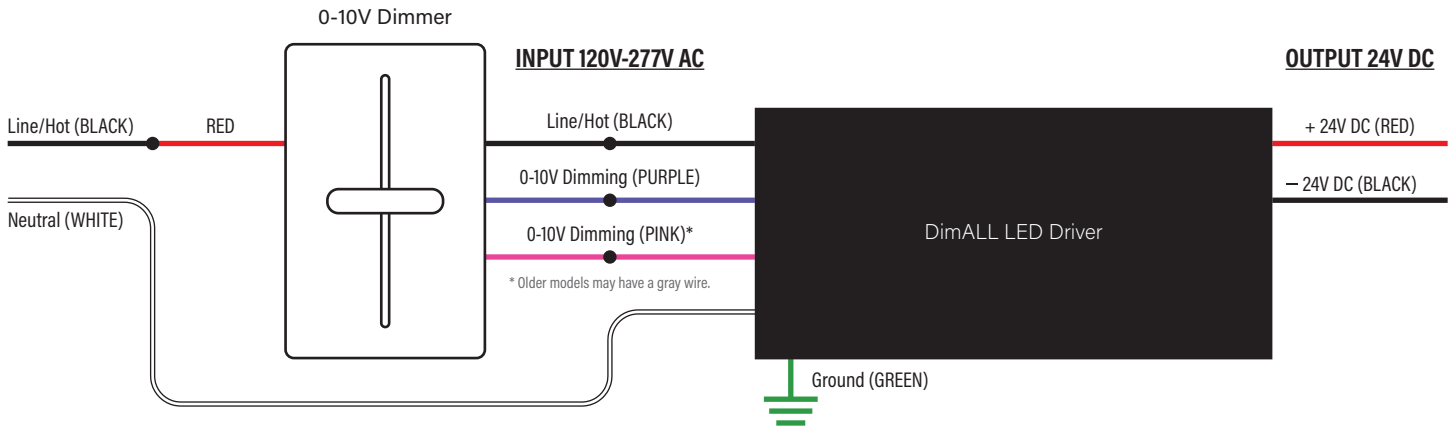


Fixture Type	
Part Number	
Quantity	
Project Name	
Signature	

Sample Wiring Diagrams

For sample purposes only. Actual schematics may vary. Always consult the instructions that accompany the switch or dimmer before installation.

Sample Wiring Diagram for 0-10V Dimming



Sample Wiring Diagram for Other Dimming Types

