

# 288W MAGNETIC LOW VOLTAGE DIMMABLE DRIVER

DR-288W-24VDC-DIM



## Description

The 288W Magnetic 120VAC MLV Dimmable Driver is a MLV (Magnetic Low Voltage) TRIAC Dimmable Driver. It has three 96W outputs inside the wiring compartment to meet NEC Class 2 standards. This driver is perfect for residential and commercial projects where you need to convert 120V AC Line Voltage to 24V DC Low Voltage. Primary push-to-reset and secondary auto-reset breakers are included for load and line protection and the driver is encased in a NEMA-3R enclosure with two knock-outs, for a simple hardwired installation.



**DIMMABLE**

24V DC

Class 2



## Specifications

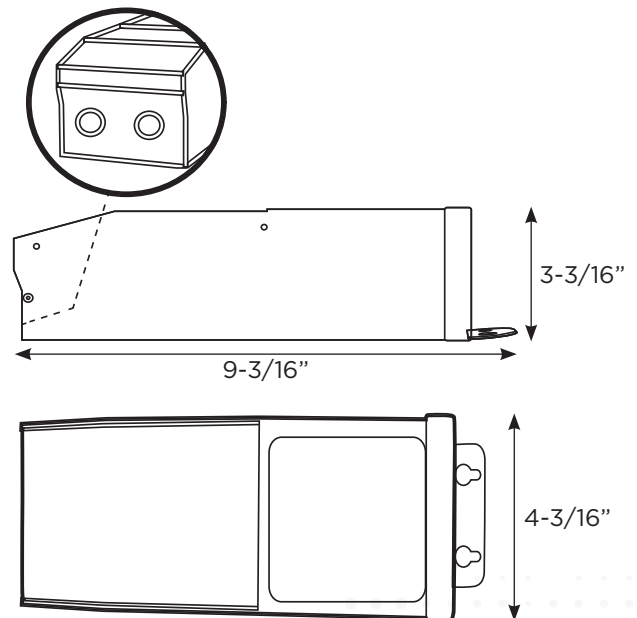
|                              |  |                                     |                                  |
|------------------------------|--|-------------------------------------|----------------------------------|
| <b>Input Voltage</b>         | 120V AC                                      | <b>Input Current Full Load</b>      | 3.4A                             |
| <b>Output Voltage</b>        | 24V DC                                       | <b>Output Voltage Full Load</b>     | 22.1V DC                         |
| <b>Max Load</b>              | 96 Watts per Output (x3 Outputs in Total)    | <b>Max Output Current Full Load</b> | 4A per Output                    |
| <b>Recommended Min. Load</b> | 67 Watts per Output (x3 Outputs in Total)    | <b>Open Circuit Output Voltage</b>  | 24.5V DC                         |
| <b>Absolute Min. Load</b>    | 48 Watts per Output (x3 Outputs in Total)    | <b>Dimensions LxWxH</b>             | 9-3/16" x 4-3/16" x 3-3/16"      |
| <b>Max Operating Temp. *</b> | 160°F (71.1°C)                               | <b>Weight</b>                       | 8 lbs. 12 oz.                    |
| <b>Avg. Efficiency</b>       | 84%  | <b>Ratings</b>                      | ETL Listed, Class 2, and NEMA-3R |
| <b>Dimming</b>               | MLV **                                       | <b>Warranty</b>                     | 5 Year Limited                   |
| <b>Circuit Breaker</b>       | Primary Push-to-Reset / Secondary Auto Reset |                                     |                                  |

\*When installed with proper ventilation.

\*\*See our Dimmer Compatibility List for a complete list of compatible dimmers (pg. 2-3).

## Features

- Dimmable with most quality magnetic low voltage dimmers
- Three (x3) 96 Watt Outputs to comply with Class 2
- NEMA-3R enclosure for outdoor use
- Two knock-outs for simple installation
- ETL Listed



# DIMMER COMPATIBILITY LIST

## FOR DIMMABLE MAGNETIC LOW VOLTAGE DRIVERS



### Lutron Dimmers

#### Lutron Aycl

153-PH

#### Lutron Ariadni

AYLV-600P

AYLV-600P-CSA

AYLV-600P-S

AYLV-603P

AYLV-603P-CSA

AYLV-603P-S

#### Lutron Diva

DVLV-103P

DVLV-603P

DVSVCLV-103P

DVSVCLV-603P

DVLV-103P-CSA

DVLV-603P-CSA

DVLV-103P-S

DVLV-603P-S

DVLV-103PH-S

DVLV-603PH-S

DVSVCLV-103P-L

DVSVCLV-603P-L

DVLV-10P

DVLV-600P

DVSVCLV-10P

DVSVCLV-600P

DVLV-10P-CSA

DVLV-10P-S

DVLV-10PH-S

DVSVCLV-10P-L

DVLV-603V

SC-1PS

SC-3PS

SC-4PS

SC-1PSNL

SC-3PSNL

SC-4PSNL

#### Lutron Nova

NTLV-600

NTLV-1000

NTLV-1500

NTLV-600-S

NTLV-1000-S

NTLV-1500-S

NTLV-603P

NTLV-1003P

NTLV-1503P

NTLV-2003P

NTLV-603P-CSA

NTLV-1003P-CSA

NTLV-1503P-CSA

NTLV-603P-S

NTLV-1003P-S

NTLV-1503P-S

NTLV-2003P-S

NT-1PS

NT-1PS-CSA

NT-1PS-S

NT-3PS

NT-3PS-CSA

NT-3PS-S

NT-4PS

NT-4PS-CSA

NT-4PS-S

#### Lutron Skylark

SLV-600P

SLV-600P-CSA

SLV-600PH-CSA

SLV-603P

SLV-603P-CSA

SLV-603PH-CSA

#### Lutron Lyneo

LXLV-103PL

LXLV-603PL

LXLV-10PL

LXLV-600PL

#### Lutron Vareo

V-600

V-1000

V-600-S

V-1000-S

VETN-1000

VETS-1000

VETS-1000-CSA

VETN-1000-S

VETS-1000-S

VETS-R

VETS-R-S

VETS-1000-SL

VETS-1000-SL-S

VETS-A-SL

VETS-A-SL-S

#### Lutron Nova T

NTLV-600

NTLV-600-277

NTLV-1000

NTLV-1000-277

NTLV-1500

#### Lutron Glyder

GLV-600

GLV-600-CSA

#### Lutron RadioRA2

RRD 10 ND

#### Lutron Ceana

CNLV-600P

CNLV-603P

#### Lutron Homeworks RF Maestro

HRD-6ND-XX 600 W Incandescent/MLV Neutral Wire Dimmer

HRD-10ND-XX 1000 W Incandescent/MLV Neutral Wire Dimmer

#### Lutron Maestro

**NOTE: THE FOLLOWING LUTRON MAESTRO DIMMERS DO NOT WORK WITH THE DIMMABLE MLV DRIVERS:**

MALV-600

MALV-1000

MSCLV-600M

MSCLV-1000M

MACL-153M

### Legrand Dimmers

#### Legrand Wireless Universal

DRD4-W

DRD4-A

DRD4-B

DRD4-I

#### Legrand Pass & Seymore

HLV1103PW

CDLV1103PW

HLV703PTC

WSLV703PW

H703PTUTC

CDLV703PW

LSLV600PW

LSLV600W

Have questions about a dimmer not listed? Contact our design department at 832-717-2710 or [designs@ledinspirations.com](mailto:designs@ledinspirations.com).

# DIMMER COMPATIBILITY LIST

## FOR DIMMABLE MAGNETIC LOW VOLTAGE DRIVERS



### Leviton Dimmers

#### Leviton Mural

MDM06-1LI  
MDM06-1LW  
MDM06-1LA  
MDM10-1LI  
MDM10-1LW  
MDM10-1LA

#### Leviton SureSlide

6613-PLT  
6613-PLI  
6613-PLW  
6613-PLA

#### Leviton Illumatech

IPM06-1LZ  
IPM06-1LX  
IPM10-1LZ

#### Leviton ToggleTouch

TGM10-1LI  
TGM10-1LA  
TGM10-1LT

#### Leviton Vizia

VPM06-1LZ

### Crestron Dimmers

#### Crestron Dimmers

CLS-C6(M)  
CLS-EXP-DIM  
CLS-EXP-DIMU  
CLX-1DIM4  
CLX-1DIM8  
CLX-2DIM8  
DIN-1DIM4  
CLW-DIMSWEX  
CLW-DIMSWCN  
CLW-DIMEX  
CLW-DIMCN  
P-DIMEX  
GLX-DIM6  
GLXX-2DIM8

### Control4 Dimmers

#### Control4 Dimmers

Control4 120V Wireless  
Dimmer C4-DIMIZ

### Vantage Control Dimmers

#### Vantage Control

SDM12-EM

### Savant Systems Dimmers

#### Savant Systems

8 Channel Dimmer Module LMD-8120

Have questions about a dimmer not listed? Contact our design department at 832-717-2710 or [designs@ledinspirations.com](mailto:designs@ledinspirations.com).