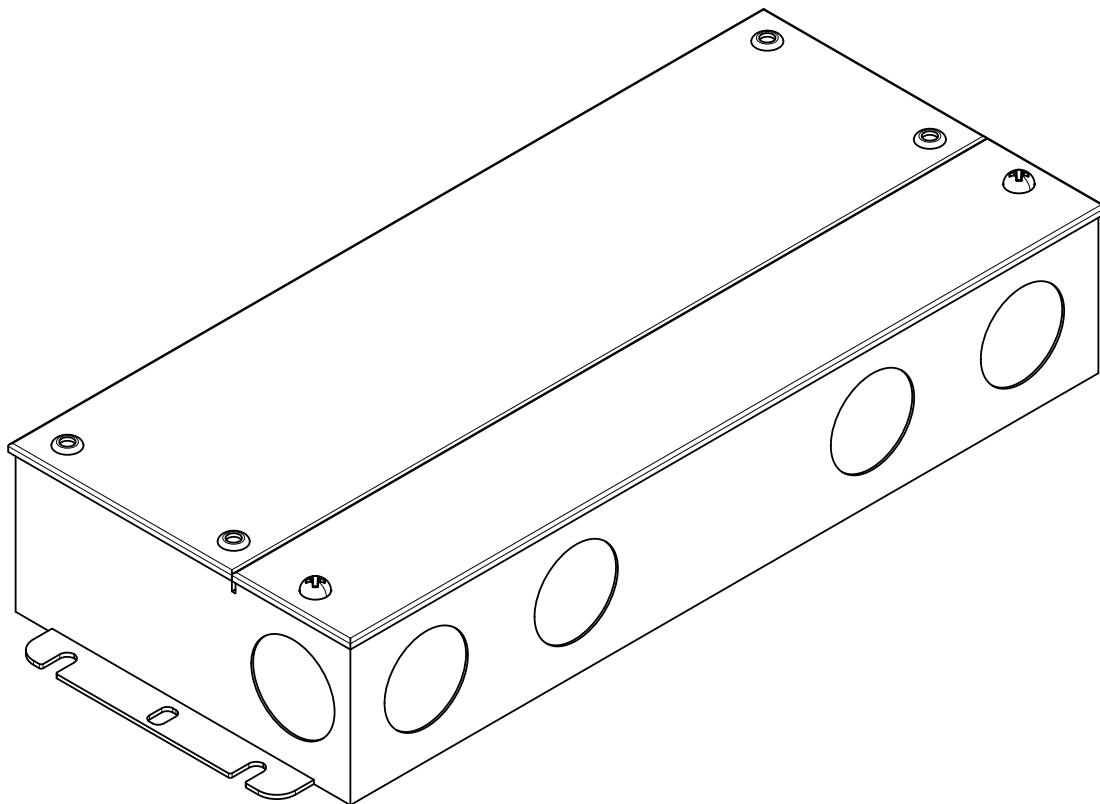


DimALL™ 120-277V Dimmable Drivers

Installation Instructions

#DR-XXW-24V-DIMALL



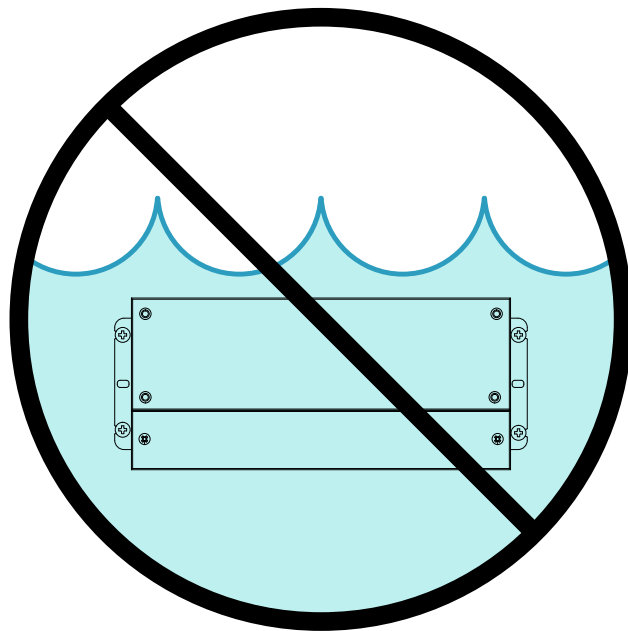
IMPORTANT! Turn OFF AC power at circuit breaker before you begin the installation.

¡IMPORTANTE! Desconectar el servicio de corriente eléctrica (AC) antes de comenzar la instalación.



Drivers must be installed in an area with **proper ventilation** to ensure normal operation.

The ambient temperature rating for this driver is **-40°F to 140°F (-40°C to 60°C)**.



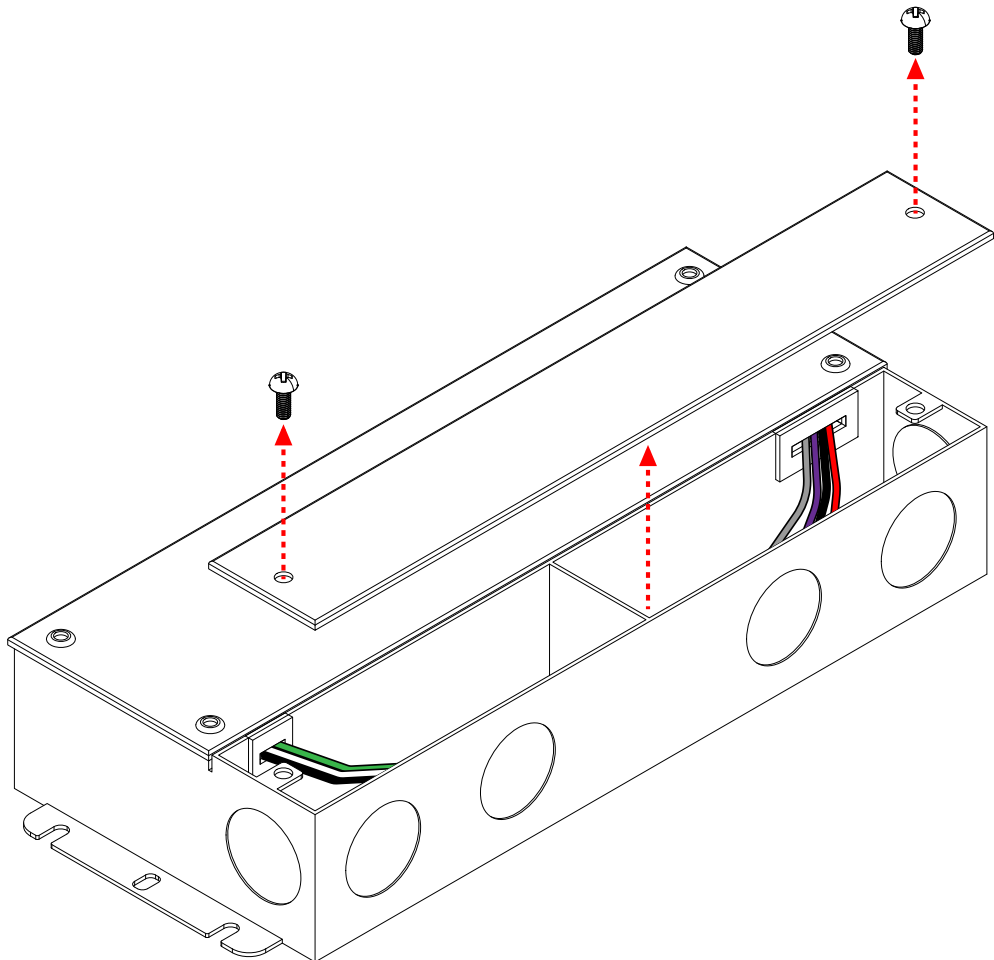
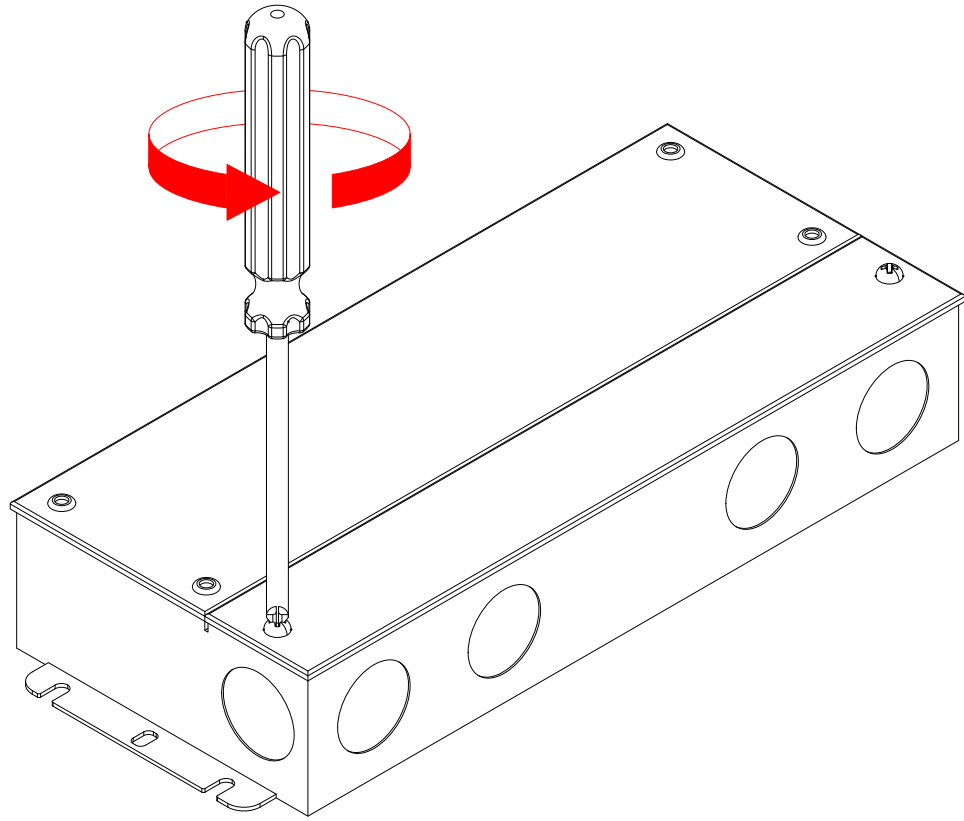
This driver is rated for an **outdoor, wet (non-submersible)** environment.



For installations in Canada

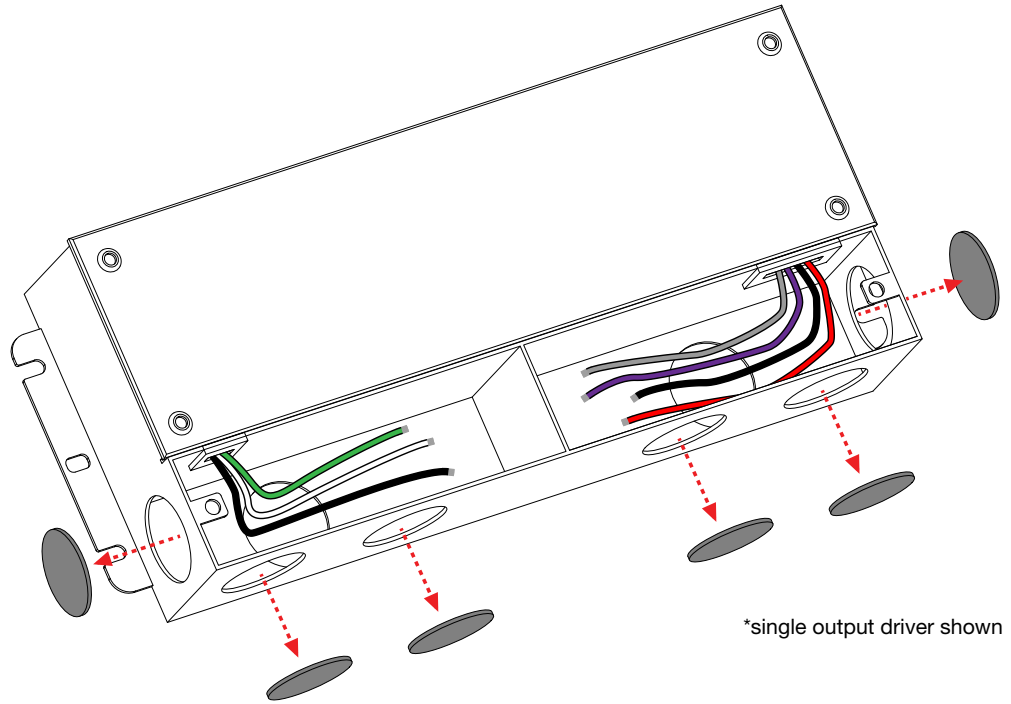
- Suitable for dry, damp and wet locations. *Convient aux emplacements secs, humide et mouillé.*
- More than one power supply present. *Plusieurs blocks d'alimentation sont présents.*
- Maximum of 12AWG through branch circuit conductor suitable for 105°C permitted in box.
La boîte de jonction peut traverser le fil à une température nominale non inférieure à 105 degrés Celcius et à un diamètre de fil maximal inférieur à 12AWG pur le circuit de dérivation.

1



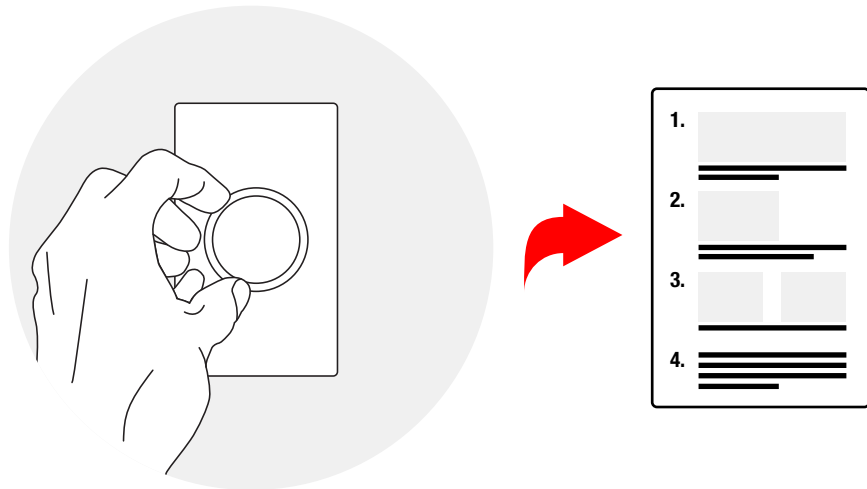
2

Punch through any knockout to feed wiring or add conduit.



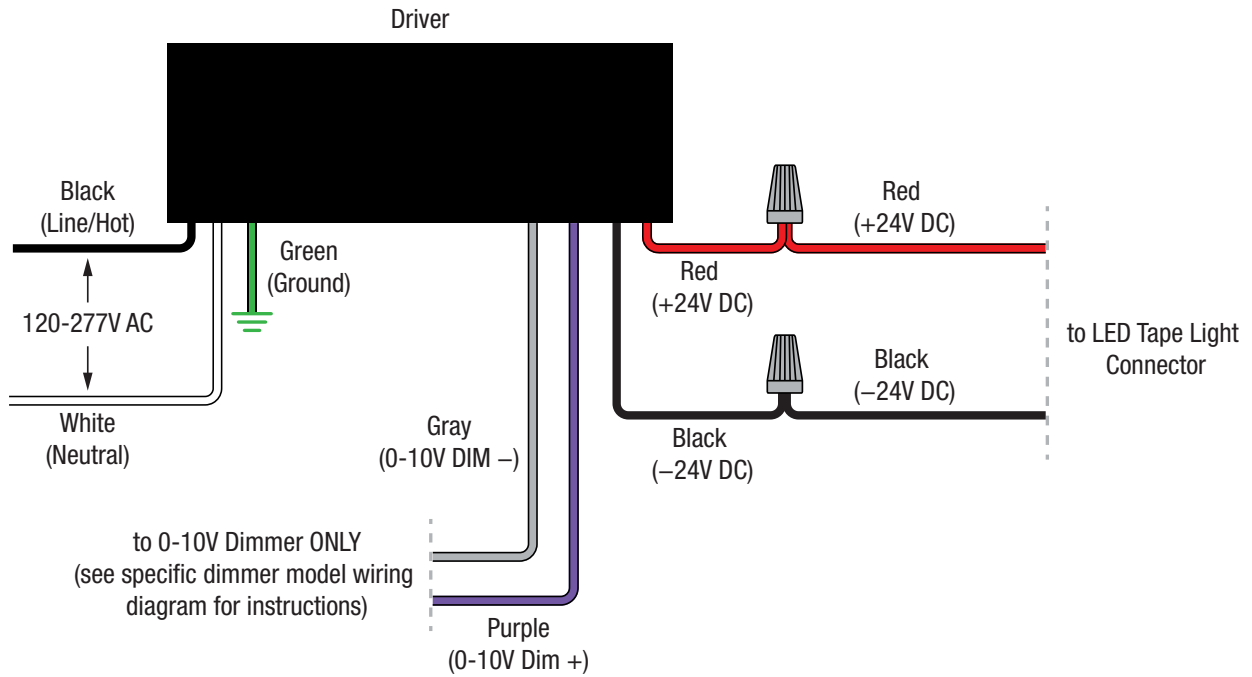
3

If installing a dimmer, refer to the installation instructions that accompany the dimmer for specific wiring diagram.



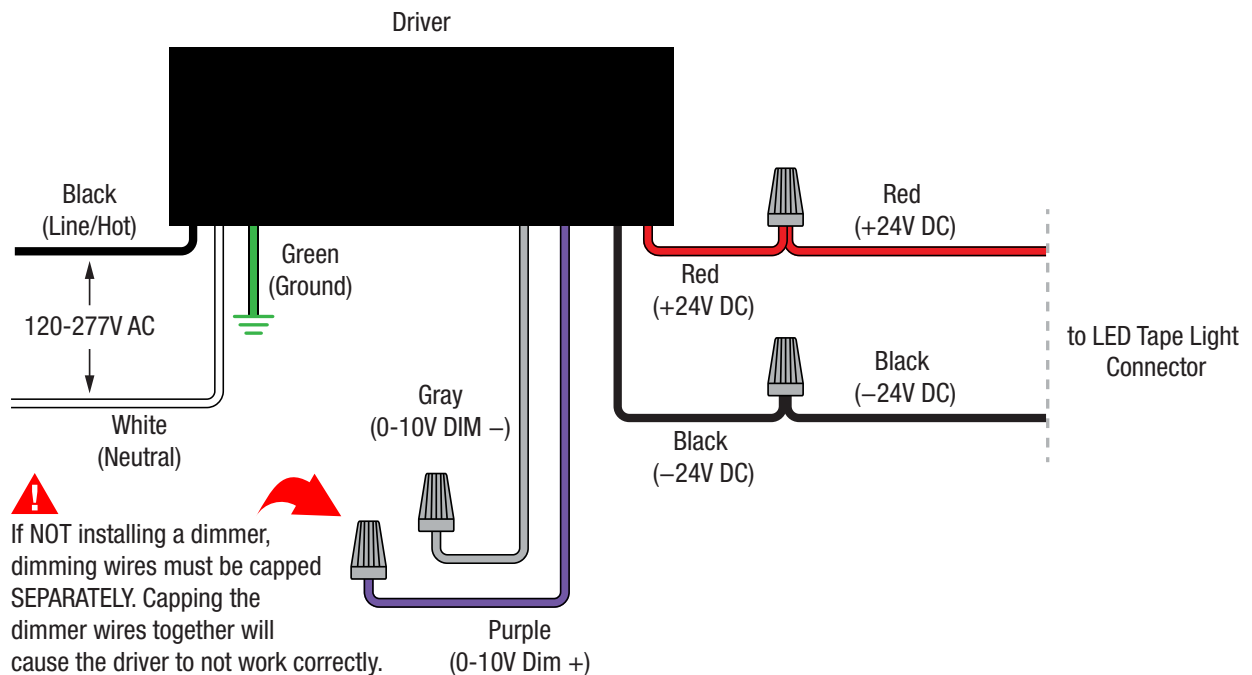
4A

WIRING DIAGRAM FOR SINGLE OUTPUT DRIVERS WITH 0-10V DIMMER



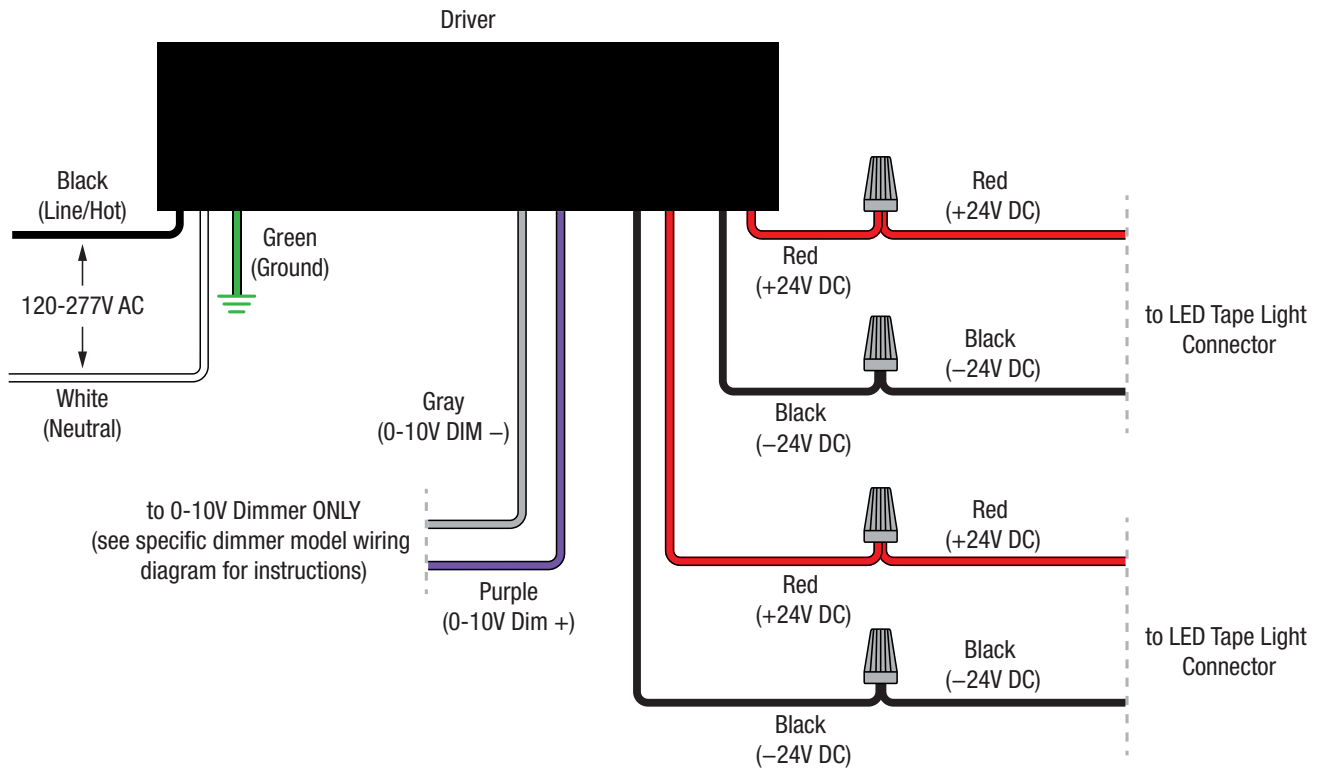
4B

WIRING DIAGRAM FOR SINGLE OUTPUT DRIVERS WITHOUT 0-10V DIMMER



4c

WIRING DIAGRAM FOR MULTI-OUTPUT DRIVERS WITH 0-10V DIMMER



4D

WIRING DIAGRAM FOR MULTI-OUTPUT DRIVERS WITHOUT 0-10V DIMMER

