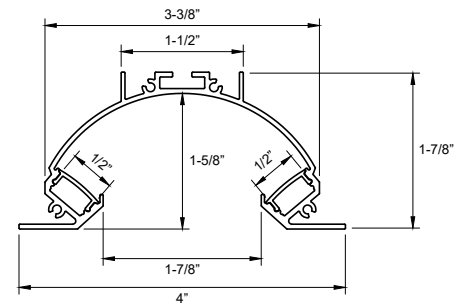
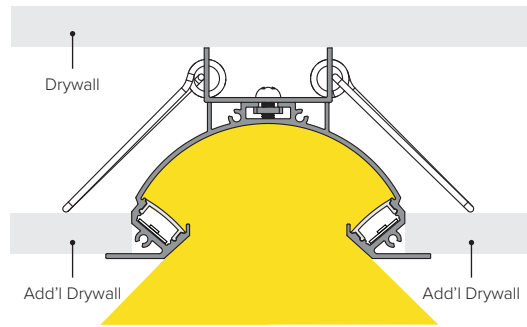
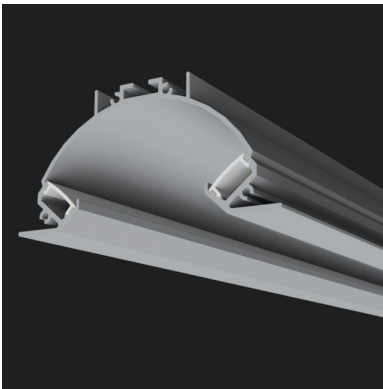




<b>TYPE</b>	<b>LOCATION</b>
<b>PART NUMBER</b>	<b>PROJECT NAME</b>

# Inspire Recessed Indirect Channel Surface Mount Aluminum Channel



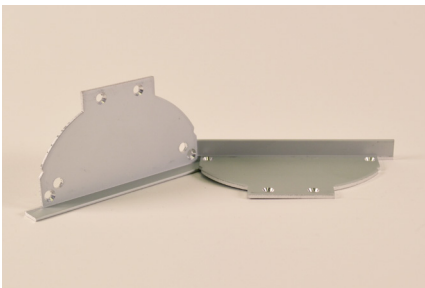
## Specifications

<b>Mounting Type</b>	Recess
<b>Construction</b>	Aluminum
<b>Channel Color</b>	Anodized Aluminum
<b>Lens Types</b>	Frosted
<b>Lens Construction</b>	UV-Coated Polycarbonate
<b>Environment</b>	Indoor
<b>Warranty</b>	5-year Limited

## Ordering Information

Item	Description	Part Number
Channel Kit	Unassembled kit that includes a 6' 6" channel, lens, end caps, and mounting hardware.	CH1-KIT-INDL-2M
Custom Channel	Custom channel cut to a custom length (sold by the foot). Includes the channel, lens, end caps, and mounting hardware.	CH1-INDL-CUSTOM

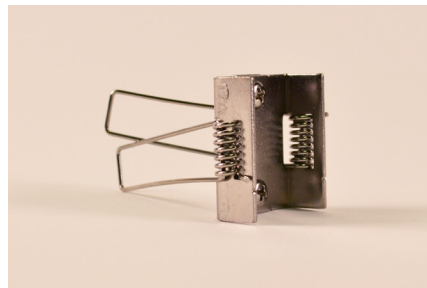
## Channel Accessories



### End Caps

Extra set of end caps. Installs onto the ends of the channel. QTY 2.

**CH1-END-INDL**



### Mounting Hardware

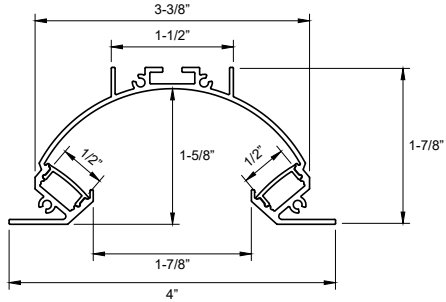
Extra set of mounting hardware. QTY 5.

**CH1-MNT-INDL**

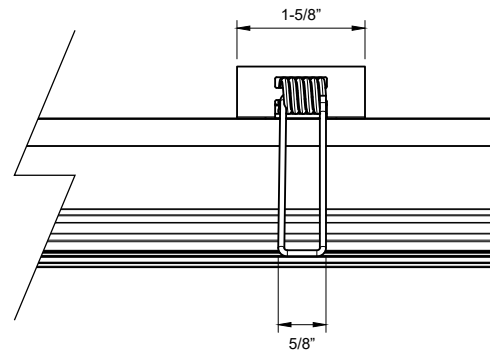
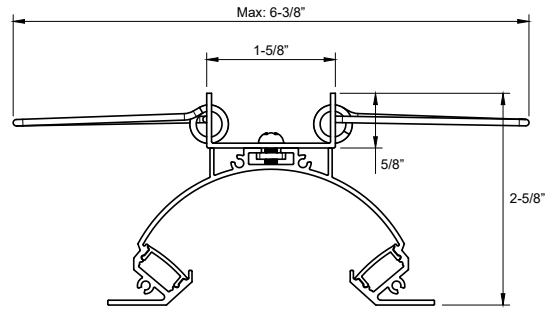
# LEDI // Inspire Recessed Indirect Channel Product Specifications

## Product Dimensions

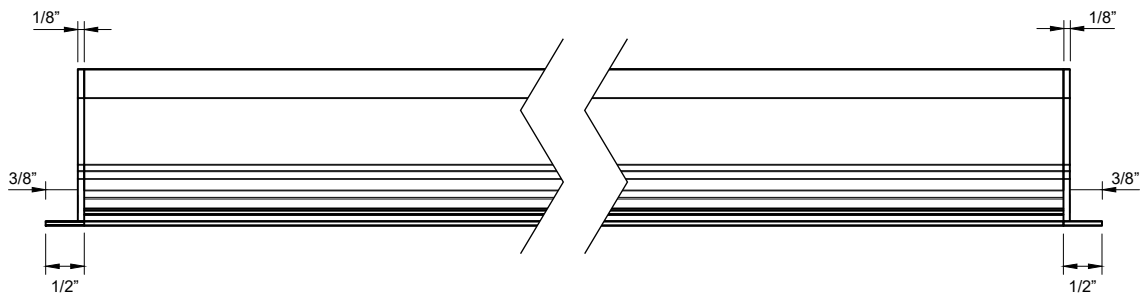
### Channel Dimensions



### Mounting Hardware Dimensions



### End Cap Dimensions



# LEDI // Inspire Recessed Indirect Channel Product Specifications

## Lumen Output & Lens Diffusion Rates

The table below shows the lumen per foot output of compatible LED tape light inside this channel, and also how each model of LED tape light diffuses under the lens of the channel. The images below serve as a visual aid to best illustrate the different levels of diffusion.



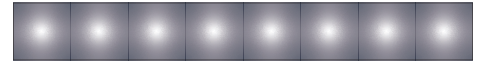
### Flawless

No dotting/pixelation from LEDs



### Near-Flawless

Mild dotting/pixelation from LEDs



### Minimal

Heavy dotting/pixelation from LEDs

### PLEASE NOTE:

- THIS CHANNEL REQUIRES TWO (2) STRIPS OF LED TAPE LIGHT.
- LED TAPE LIGHT CONNECTORS CANNOT FIT INSIDE THIS CHANNEL. SOLDERED LEAD WIRES ARE REQUIRED.

		Lumen Output (per foot)									
LED Tape Light	Diffusion Rate	4000K	3500K	3000K	2700K	2100K	1800K	RGB	RGBW	Tunable White	Warm Dim
Inspire V5 Spec 1.5	Flawless	83	82	80	75	65	54	—	—	—	—
Inspire V5 Spec 2.8	Flawless	127	134	125	115	103	99	—	—	—	—
Inspire V5 Spec 4.0	Flawless	221	204	195	181	174	143	—	—	—	—
Inspire V5 Spec 5.0	Flawless	256	250	237	216	206	152	—	—	—	—
Inspire V5 Spec 7.5	Flawless	347	366	325	293	281	254	—	—	—	—
Inspire LightLine™ COB 1.5	Flawless	63	61	59	53	44	34	—	—	—	—
Inspire LightLine™ COB 2.8	Flawless	116	113	109	107	84	67	—	—	—	—
Inspire LightLine™ COB 5.5	Flawless	222	205	192	193	150	113	—	—	—	—
Inspire LightLine™ COB RGB	Flawless	—	—	—	—	—	—	57*	—	—	—
Inspire V5 Standard Eco	Minimal	67	66	62	60	55	43	—	—	—	—
Inspire V5 Standard Bright	Minimal	82	81	79	75	68	60	—	—	—	—
Inspire V5 Standard Super Bright	Near-Flawless	206	195	193	168	167	147	—	—	—	—
Inspire RGB 4.0	Minimal	—	—	—	—	—	—	76*	—	—	—
Inspire RGB 6.0	Near-Flawless	—	—	—	—	—	—	162*	—	—	—
Inspire RGBW	Minimal	—	—	—	—	—	—	—	160*	—	—
Inspire Tunable White	Near-Flawless	—	—	—	—	—	—	—	—	248*	—
Inspire Warm Dim	Near-Flawless	—	—	—	—	—	—	—	—	—	105*

\* Max lumen output shown. Other colors vary.