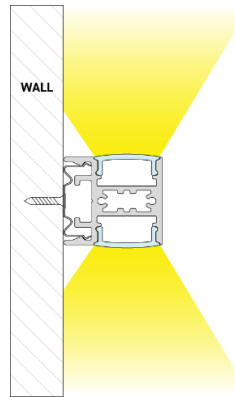
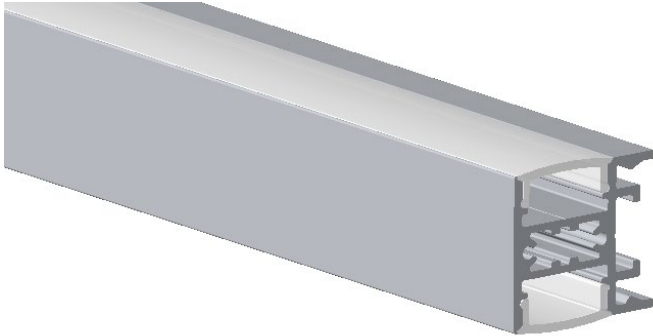




Inspire Up and Down Channel

Preliminary specification. Information subject to change without notice.

Type	
Part No.	
QTY	
Signature	



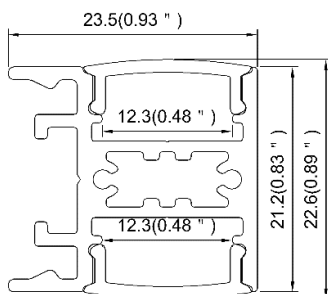
Specifications

Lens Type	Frosted
Channel Finish	Anodized Aluminum and Custom Colors
Compatible LED Tape Light	Two (2) strips of: - Inspire V5 Spec 1.5, 2.8, 5.0, and 7.5 - Inspire LightLine™ COB 1.5, 2.8, and 5.5
Mounting	Surface Mount

Part Numbers

Part Number	Description	Ordering
CH1-KIT-UADSM-2M	Inspire Up and Down Channel Kit. Anodized aluminum finish. 2m (6.56 FT). Includes channel, (2) frosted lenses, (4) end caps with screws, and (5) mounting clips with screws.	Per piece
CH1-UADSM-CUSTOM	Custom length Inspire Up and Down Channel. Includes channel, frosted lenses, end caps with screws, and mounting clips with screws.	Per foot
CH1-END-UADSM	Extra End Cap set for Inspire Up and Down Channel. Includes (2) end caps with screws.	Per set
CH1-MNT-UADSM	Extra Mounting Clip set for Inspire Up and Down Channel. Includes (5) mounting clips with screws.	Per set

Dimensions

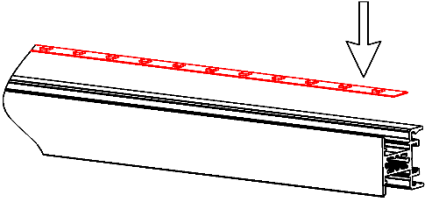
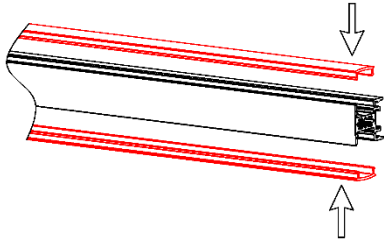
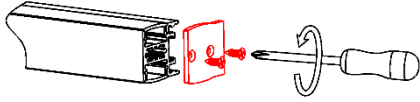
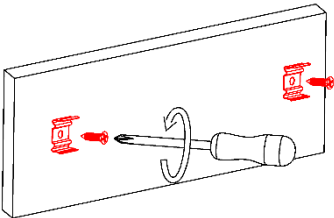


Type	
Part No.	
QTY	
Signature	

Inspire Up and Down Channel

Preliminary specification. Information subject to change without notice.

Installation

<p>1) Install both strips of the LED tape light.</p> 	<p>2) Install both lenses.</p> 	<p>3) Install the end caps.</p> 
<p>4) Screw the mounting clips onto the application surface.</p> 	<p>5) Attach the channel onto the mounting clips.</p> 