

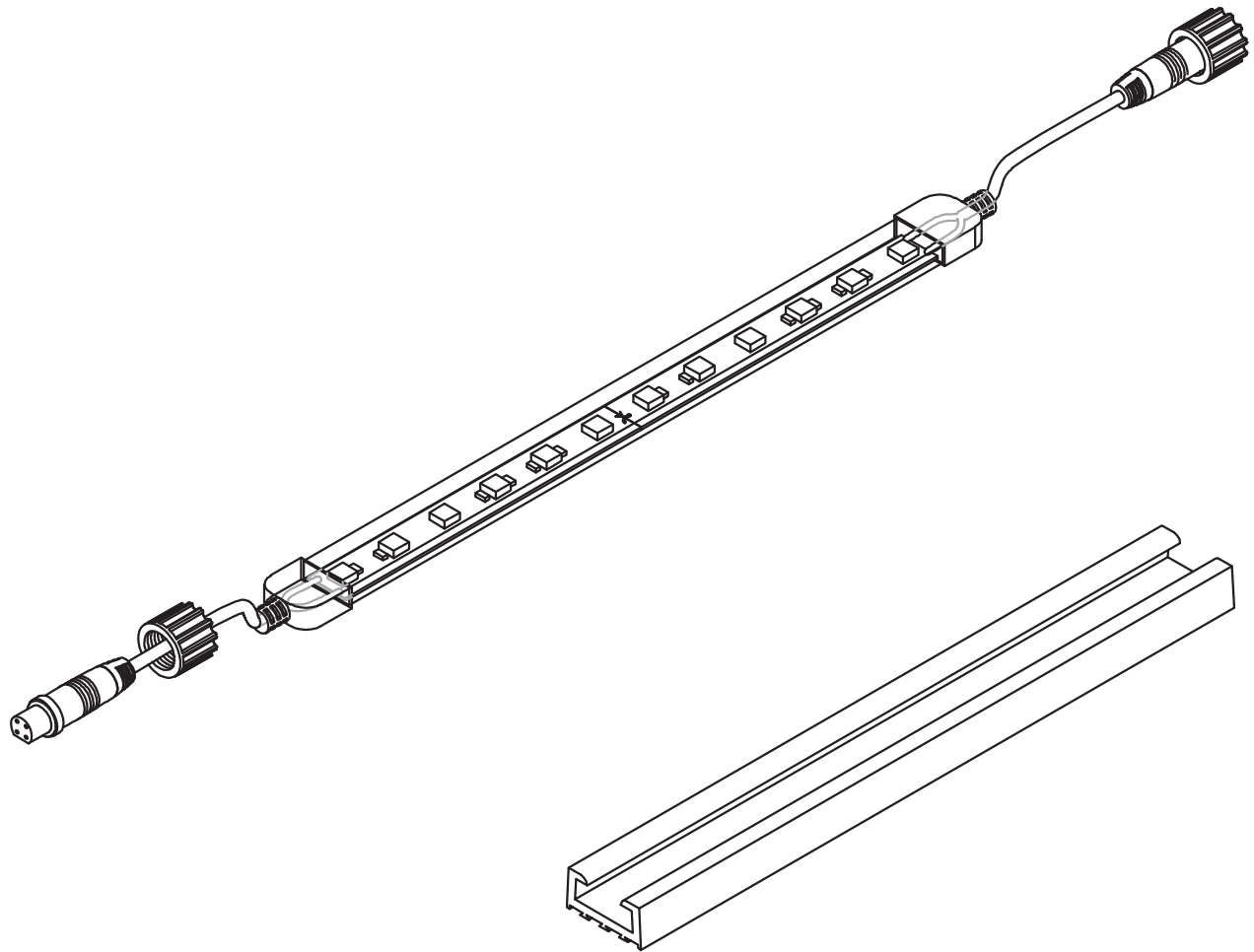
# Inspire V4 Outdoor LED Tape Light Installation Instructions

#V4-OUT-27-SB-BLK

#V4-OUT-30-SB-BLK

#V4-OUT-40-SB-BLK

#V4-OUT-RGB-BLK



## Tools Needed

- Measuring Tape
- Scissors/Utility Knife
- Phillips/Flathead Screwdriver
- Screws (Masonry/Wood/Metal) OR Outdoor-Rated Adhesive
- Wire Nuts
- Calculator

## Products Needed

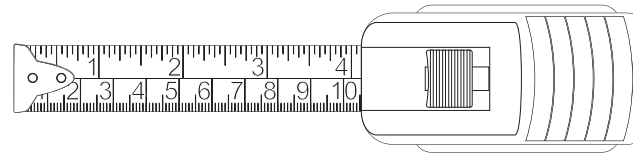
- Inspire V4 Outdoor LED Tape Light
- Inspire V4 Outdoor Rubber Strip Channel
- Inspire V4 Outdoor Hardwire Connector
- Inspire V4 Outdoor Extensions (optional)
- Silicone Glue (included in packaging)
- Silicone End Caps (included in packaging)
- 24V DC Driver

### IMPORTANT!

- DISCONNECT ALL POWER BEFORE INSTALLING!
- Have a question? Give us a call at (832) 717-2710, or e-mail us at [designs@ledinspirations.com](mailto:designs@ledinspirations.com).

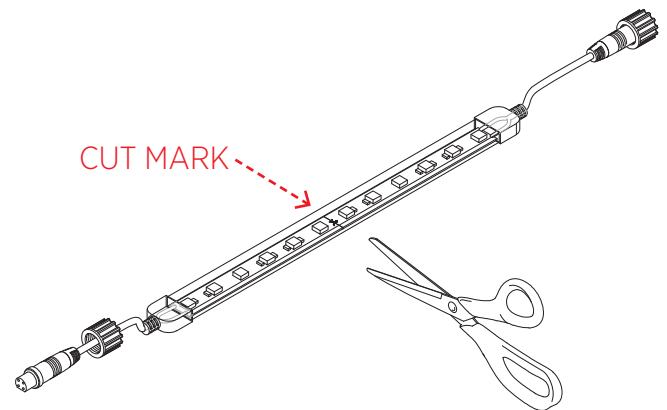
## 1 MEASURE

Measure the areas where you would like to install the Inspire V4 Outdoor LED tape light.



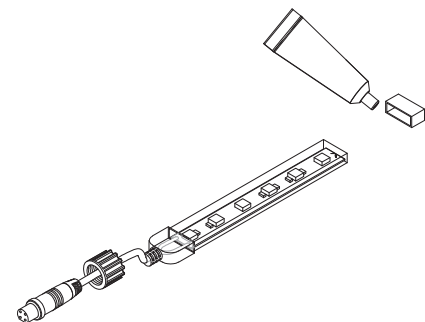
## 2 CUT

Cut the LED tape light at the designated cut mark. The Inspire V4 Outdoor LED tape light may be cut every 4 inches.



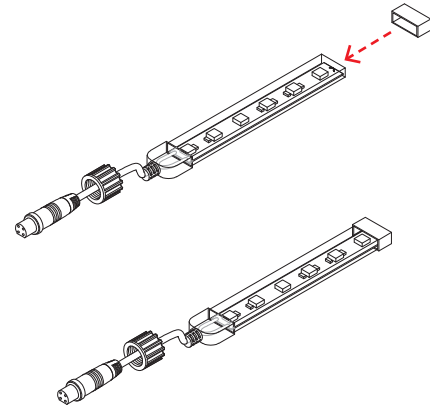
## 3 APPLY

Apply the silicone glue to the silicone end cap. A tube of silicone and end caps are included inside the packaging of your Inspire V4 Outdoor LED tape light.



## 4 ATTACH

Attach the silicone end cap to the cut end of the LED tape light to prevent moisture from seeping in.

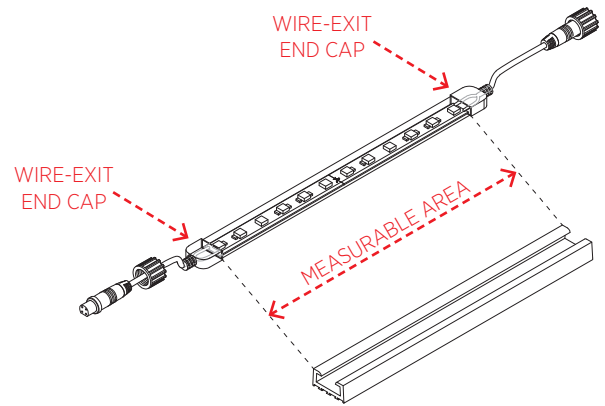


**!** **NOTE:** ONCE THE SILICONE END CAP IS ATTACHED, ALLOW THE SILICONE GLUE TO DRY BEFORE CONTINUING.

## 5 TRIM

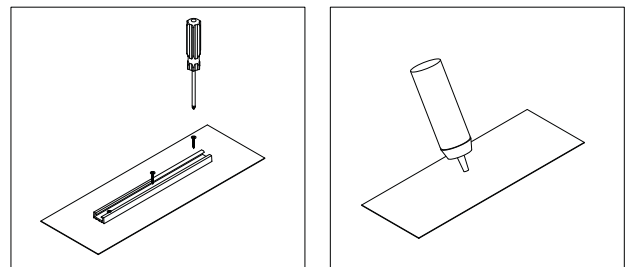
Trim the Outdoor Rubber Strip channel to match the length of the LED tape light.

**!** **NOTE:** THE WIRE-EXIT END CAPS WILL NOT FIT INTO THE OUTDOOR RUBBER STRIP CHANNEL. THEY SHOULD NOT BE INCLUDED IN YOUR MEASUREMENT.



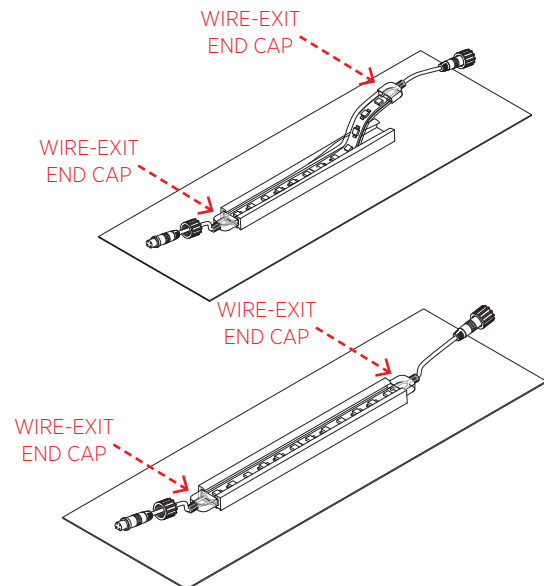
## 6 ATTACH

Attach the Outdoor Rubber Strip channel to the surface of your application using either screws, or an outdoor-rated adhesive.



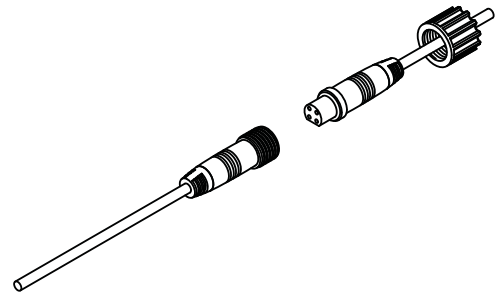
## 7 LAY

Lay the LED tape light into the Outdoor Rubber Strip Channel, positioning the Wire-Exit End Cap(s) outside of the channel.



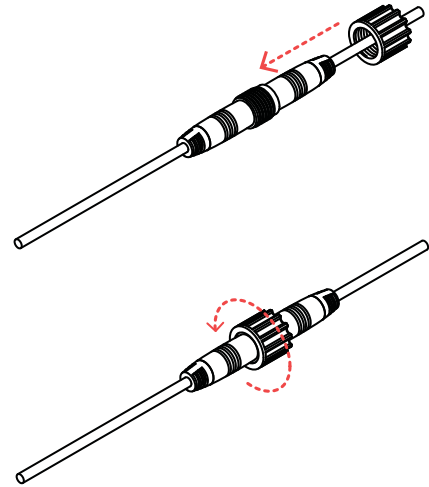
## 8 PLUG-IN

Plug-in the Inspire V4 Outdoor Hardwire Connector to the connector lead at the end of the Inspire V4 Outdoor LED tape light.



## 9 SCREW-ON

Screw-on the Inspire V4 Outdoor Fastener to secure and seal the connection.



## 10 CALCULATE

Calculate the driver size required by using this simple equation:

<b>RUN LENGTH</b> <i>Measure in feet the length of area to be lighted (as described in step 1)</i>	<b>X</b>	<b>PER FOOT WATTAGE</b> <b>V4 OUTDOOR SINGLE COLOR = 3.8 watts/ft</b> <b>V4 OUTDOOR RGB = 3.8 watts/ft</b>
<b>=</b>		
<b>TOTAL WATTAGE</b> <i>The correct driver must be able to power at least this amount of wattage</i>		

▶ **EXAMPLE:** 13ft x 3.8 watts/ft = 49.4 total watts

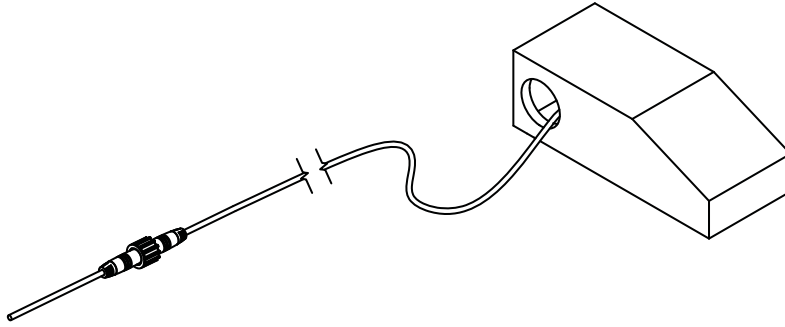
**!** **NOTE:** STAY WITHIN THE MAXIMUM RUN LENGTHS OF THE INSPIRE V4 OUTDOOR LED TAPE LIGHT. EXCEEDING THE MAXIMUM RUN LENGTH CAN DAMAGE THE LED TAPE LIGHT AND VOID THE WARRANTY.



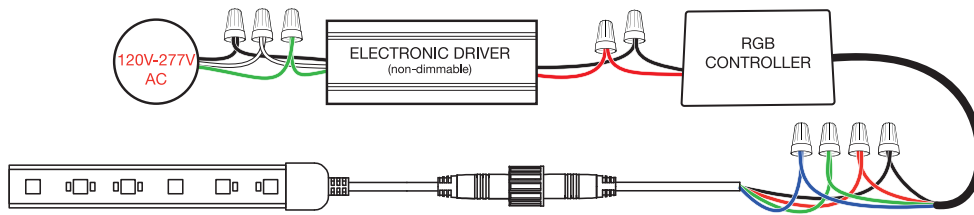
**MAXIMUM RUN LENGTHS (Class 2)**  
**V4 OUTDOOR SINGLE COLOR = 25 FEET**  
**V4 OUTDOOR RGB = 25 FEET**

# 11 COMPLETE

Complete the connections at the 24V DC driver. Use the sample wiring diagrams below as a reference:



## RESIDENTIAL RGB WIRING DIAGRAM



## SINGLE COLOR WIRING DIAGRAM

