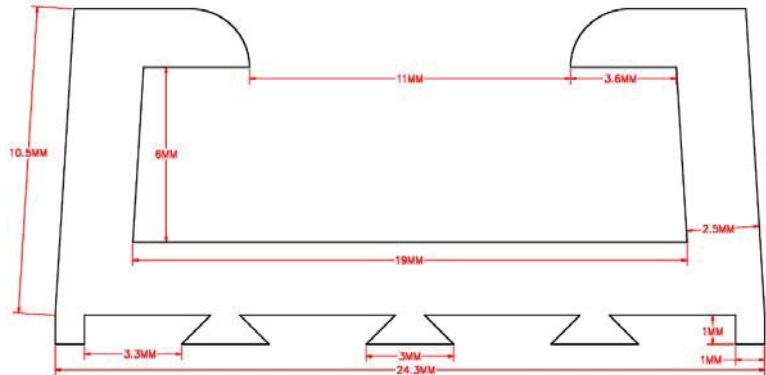




Outdoor Strip Channel

Specs & Installation Instructions

#STRIPCHAN5FT-OUTDOOR-10MM



Specs

Length: 5 Feet

Material: UV Resistant Rubber

Color: Brown

Rating: Outdoor, Wet

Warranty: 5 Year Limited

Compatibility: Inspire OUTDOOR LED Tape Light

Installation Instructions

1. The Outdoor Strip Channel is a grooved rubber channel designed to help with the installation of our outdoor tape light.
2. When it arrives, it may be warped due to the soft nature of this rubber. If you lay it out straight in the sun for 20-30 minutes it should straighten out and lose any warping that might have occurred.
3. The Outdoor Strip Channel can be secured using mechanical fasteners (screws), adhesives, set into grout, or inlaid into stone.
4. If using fasteners, you can screw them directly through the bottom at even intervals.
5. For adhesives and grout, you can utilize the grooves in the bottom of the rubber channel to provide grip.
6. If inlaid into stone, the groove should be at least 20mm (13/16") wide.
7. The outdoor tape light should easily push into the Outdoor Strip Channel once it is secured.