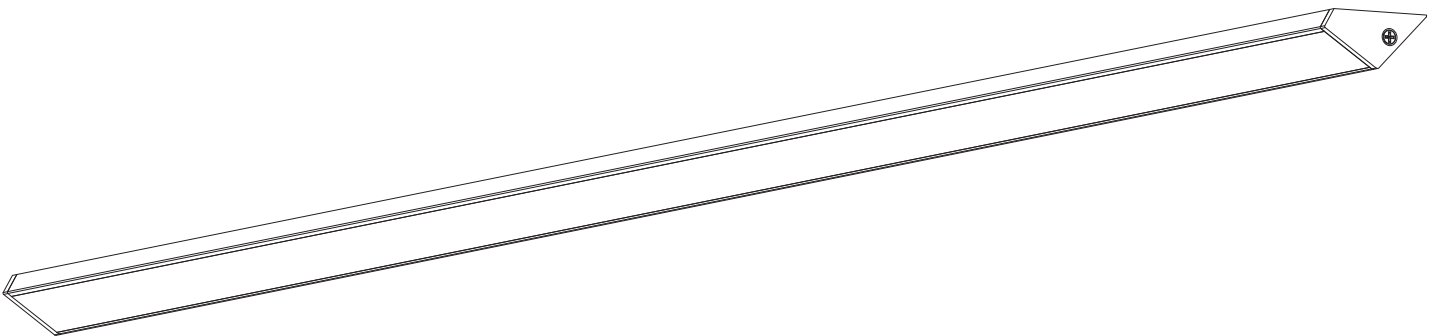


# QUANTUM 2 ANGLED 1005

## Installation Instructions

#CH-A-1005-KIT  
#CH-A-1005-2FT  
#CH-A-1005-4FT  
#CH-A-1005-6FT  
#CH-A-1005-8FT  
Custom #CH-A-1005



### Sections:

- Pg. 2 Fixture Kit Channel Preparation
- Pg. 5 Surface Mount Installation

Version 3



# QUANTUM 2 ANGLED 1005

## Fixture Kit Channel Preparation

### Cutting Instructions

Please note: If you've purchased either a Standard Fixture or Custom Fixture, please skip to page 5 for surface mount installation instructions.

#### Tools Needed

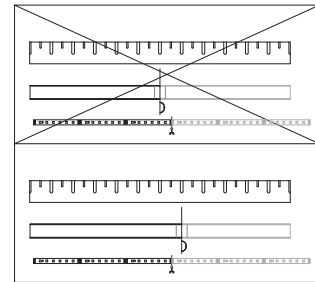
- Miter Saw/Chop Saw
- Saw blade rated for aluminum (96-tooth-blade or higher recommended)
- Painters or Masking Tape
- Drill Bit: ¼"
- Tape Measure (or long ruler)
- Marker/Pen/Pencil
- Safety Glasses
- Recommended: Work Apron/Long Sleeve shirt
- Canned Air/Air Compressor
- Fine Tip (#1) Phillips Screwdriver or Bit
- Optional: Fine File (#2 or #4 recommended) or De-Burring Tool
- Optional: ⅝" Drill Bit (for Grommet hole)

#### Parts Needed

- #CH-A-1005-KIT
- CH-A-1005 Aluminum Channel
- Diffuser Lens
- Tape Light
- End Caps
- Optional: Grommet

#### Important!

- Wear safety glasses while cutting Quantum Channel!
- Have a question? Give us a call at 832-717-2710 or e-mail us at [designs@ledinspirations.com](mailto:designs@ledinspirations.com).

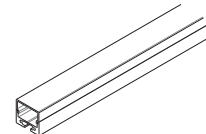


## 1 Determine Length to Cut

The LED tape light that comes with the CH-A-1005-KIT has a cut length of 2-<sup>13</sup>/<sub>16</sub>". To ensure that there are no dark spots or shadows at the ends, the channel cut length should be in increments of 2-<sup>13</sup>/<sub>16</sub>", plus about <sup>3</sup>/<sub>8</sub>" to account for the wire exit. See the Cut Chart on page 4 for cut increments.

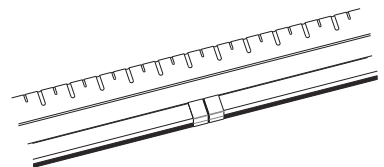
## 2 Prepare Lens for Cutting

Insert and snap the plastic lens flush with the end of the channel.



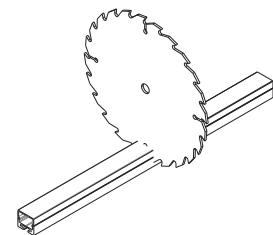
## 3 Measure, Tape, and Mark

Measure out the length you want to cut. Wrap both the channel and lens with masking/painters tape to hold them firmly together and protect them from scratching from the saw blade. Mark on top of the tape where you want to make your cut.



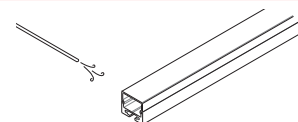
## 4 Cutting

Use a saw blade rated for aluminum, 96-tooth or higher recommended. Cut to the OUTSIDE of the mark. This will ensure the width of the sawblade does not subtract from the desired length. Cut slowly and evenly to ensure a clean cut. You may need to de-bur some edges with a file or de-burring tool.



## 5 Clean-Up

Use canned air or an air compressor to clear away the aluminum shavings from inside the channel.



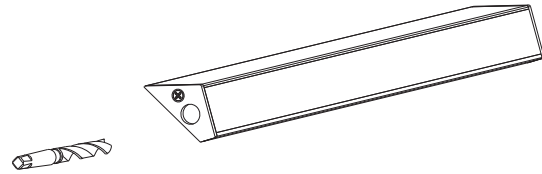
# QUANTUM 2 ANGLED 1005

## Fixture Kit Channel Preparation Cont.

### 6 Drill hole for Wire

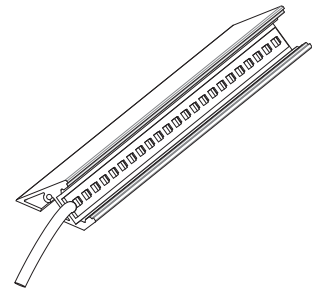
The low voltage wire may exit through either the End Cap or back of channel. Drill a ¼" hole in the End Cap OR back of channel for the low voltage wire to exit.

**NOTE:** IF RUNNING YOUR LOW VOLTAGE WIRE OUT THE BACK OF THE CHANNEL, DRILL COMPLETELY THROUGH THE CHANNEL.



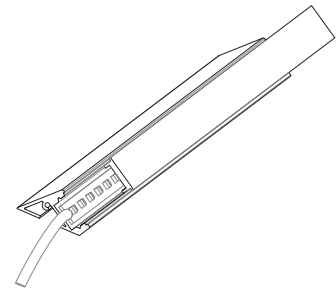
### 7 Install Quantum High Density LED Tape Light

Feed the crystal clear wire on the LED tape light through the ¼" hole. Peel off the adhesive on the back of the LED tape light and stick it down inside the channel, centering the tape light with the channel.



### 9 Install Diffuser Lens

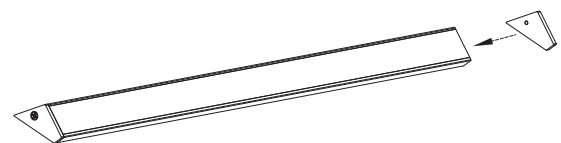
Press and snap, or slide in the diffuser lens.



### 8 Install End Caps

Using the End Cap screws, install the End Caps on each end of the channel.

**Pro Tip! Use a fine-tip (#1) phillips screwdriver or bit to avoid stripping the small screws used with the end caps.**



# QUANTUM 2 ANGLED 1005

## Cut Chart

The chart below shows optimized cut lengths that will allow the tape light to completely fill the channel and ensure no dark spots or shadows.

Overall Length	Cut Aluminum Length	Cut Lens Length	Cut LED Tape Light Length
0' 3-11/32"	0' 3-3/16"	0' 3-3/16"	0' 2-13/16"
0' 6-5/32"	0' 6"	0' 6"	0' 5-5/8"
0' 8-31/32"	0' 8-13/16"	0' 8-13/16"	0' 8-7/16"
0' 11-25/32"	0' 11-5/8"	0' 11-5/8"	0' 11-1/4"
1' 2-19/32"	1' 2-7/16"	1' 2-7/16"	1' 2-1/16"
1' 5-13/32"	1' 5-1/4"	1' 5-1/4"	1' 4-7/8"
1' 8-7/32"	1' 8-1/16"	1' 8-1/16"	1' 7-11/16"
1' 11-1/32"	1' 10-27/32"	1' 10-27/32"	1' 10-15/32"
2' 1-27/32"	2' 1-21/32"	2' 1-21/32"	2' 1-9/32"
2' 4-21/32"	2' 4-15/32"	2' 4-15/32"	2' 4-3/32"
2' 7-15/32"	2' 7-9/32"	2' 7-9/32"	2' 6-29/32"
2' 10-1/4"	2' 10-3/32"	2' 10-3/32"	2' 9-23/32"
3' 1-1/16"	3' 0-29/32"	3' 0-29/32"	3' 0-17/32"
3' 3-7/8"	3' 3-23/32"	3' 3-23/32"	3' 3-11/32"
3' 6-11/16"	3' 6-17/32"	3' 6-17/32"	3' 6-5/32"
3' 9-1/2"	3' 9-11/32"	3' 9-11/32"	3' 8-31/32"
4' 0-5/16"	4' 0-5/32"	4' 0-5/32"	3' 11-25/32"
4' 3-1/8"	4' 2-31/32"	4' 2-31/32"	4' 2-19/32"
4' 5-15/16"	4' 5-25/32"	4' 5-25/32"	4' 5-13/32"
4' 8-3/4"	4' 8-19/32"	4' 8-19/32"	4' 8-7/32"
4' 11-9/16"	4' 11-13/32"	4' 11-13/32"	4' 11-1/32"
5' 2-3/8"	5' 2-7/32"	5' 2-7/32"	5' 1-27/32"
5' 5-3/16"	5' 5"	5' 5"	5' 4-5/8"
5' 8"	5' 7-13/16"	5' 7-13/16"	5' 7-7/16"
5' 10-13/16"	5' 10-5/8"	5' 10-5/8"	5' 10-1/4"
6' 1-5/8"	6' 1-7/16"	6' 1-7/16"	6' 1-1/16"
6' 4-13/32"	6' 4-1/4"	6' 4-1/4"	6' 3-7/8"
6' 7-7/32"	6' 7-1/16"	6' 7-1/16"	6' 6-11/16"
6' 10-1/32"	6' 9-7/8"	6' 9-7/8"	6' 9-1/2"
7' 0-27/32"	7' 0-11/16"	7' 0-11/16"	7' 0-5/16"
7' 3-21/32"	7' 3-1/2"	7' 3-1/2"	7' 3-1/8"
7' 6-15/32"	7' 6-5/16"	7' 6-5/16"	7' 5-15/16"
7' 9-9/32"	7' 9-1/8"	7' 9-1/8"	7' 8-3/4"
8' 0-3/32"	7' 11-15/16"	7' 11-15/16"	7' 11-9/16"



Magenta = Channel  
 Cyan = End Caps  
 Green = Tape Light  
 Yellow = Lens  
 Red = Low Voltage Wire

# QUANTUM 2 ANGLED 1005

## Surface Mount Installation

**Please Note: If you purchased a Quantum 2 Fixture Kit (unassembled channel), see the Fixture Kit Channel Preparation section before beginning.**

### Tools Needed

- Power Drill
- Ruler/Straight Edge
- Fine Tip (#1) Phillips Screwdriver or Bit
- Pen/Pencil
- Wire Nuts/Butt Splices
- 3/8" Countersink Bit
- Drill Bits - 3/32"
- Wire Stripper
- Optional: Crimper (for Butt Splices)

### Parts Needed

- Assembled Channel
- 24v DC Driver
- CH-MOUNT-A-1005
- Clips (x2)
- Gravity Stop (x1)
- Set Screw (x1)
- Drywall Anchors (x4)
- Screws (x4)

### IMPORTANT!

- Turn power **OFF** before installation!
- Longer channels will require two people to install.
- Have a question? Give us a call at 832-717-2710 or e-mail us at [designs@ledinspirations.com](mailto:designs@ledinspirations.com).

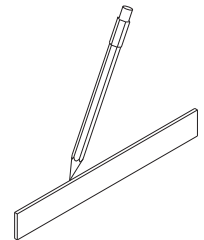
### Number of Clips to Use:

- 4' and under - 2 Clips
- 4' to 6' - 3 Clips
- 6' to 8' - 4 Clips

## Horizontal Mounting

### 1 Draw a Guide Line

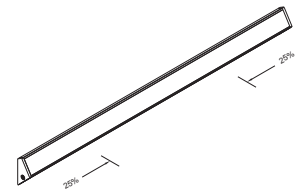
Use a pencil and straight edge or chalk line to lay out a guide line.



### 2 Clip Spacing

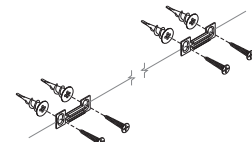
Clips should be installed 25% from each side of the channel.

Example: For an 8' fixture, clips should be 2' in from the end of the channel.



### 3 Clip Installation

Drill pilot holes for the Drywall Anchors. Install Drywall Anchors 28mm (1-1/8") center-to-center. Screw in clip, being careful to align it to the guide line.



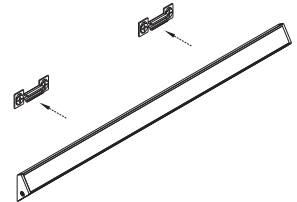
# QUANTUM 2 ANGLED 1005

## Surface Mount Installation Cont.

### Horizontal Mounting Cont.

#### 4 Attach Channel

Press and snap the Quantum Channel onto the surface mount clips.



#### 5 Run Low Voltage Wire to the 24v DC Driver

If the 24v DC driver is within 9-10 feet of the channel:

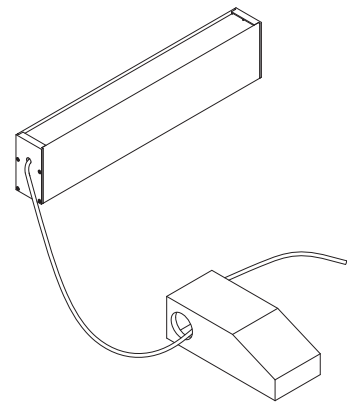
The Quantum High Density Tape Light comes with 10 feet of crystal clear wire that can be wired directly to the driver.

If the 24v DC driver is 10 feet or further from the channel:

Use at least 18 AWG low voltage wire to extend the 10 foot crystal clear wire. Wire the low voltage crystal clear wire into the 24v DC driver.

If the 24v DC driver is more than 30 feet away from the channel:

Please contact our Design Department at 832-717-2710 or [designs@ledinspirations.com](mailto:designs@ledinspirations.com) so we may recommend the correct wire size to use.



**PRO TIP! The positive (hot) wire is marked with a white line on the crystal clear wire.**

# QUANTUM 2 ANGLED 1005

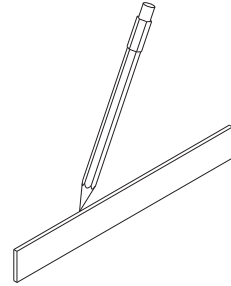
## Surface Mount Installation Cont.

### Vertical Mounting

---

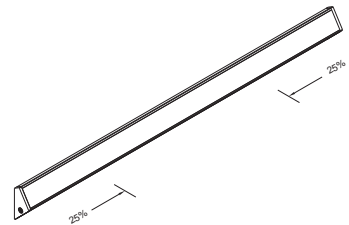
#### 1 Draw a Guide Line

Use a pencil and straight edge or chalk line to lay out a guide line.



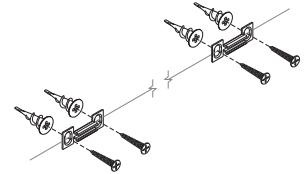
#### 2 Clip Spacing

Clips should be installed 25% from each side of the channel. Example: For an 8' fixture, clips should be 2' in from the end of the channel.



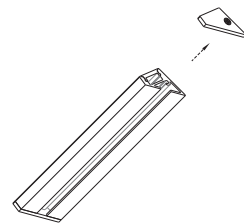
#### 3 Clip Installation

Drill pilot holes for the Drywall Anchors. Install Drywall Anchors 25mm (1") center-to-center. Screw in clip, being careful to align it to the guide line.



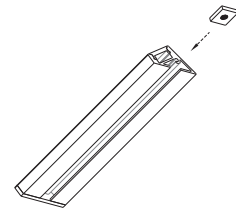
#### 4 Remove End Cap

If End Caps are already installed, remove one.



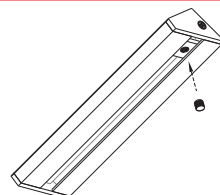
#### 5 Insert Gravity Stop

Slide Gravity Stop into slot in rear of channel.



#### 6 Secure Gravity Stop

Screw in set screw and replace End Cap.



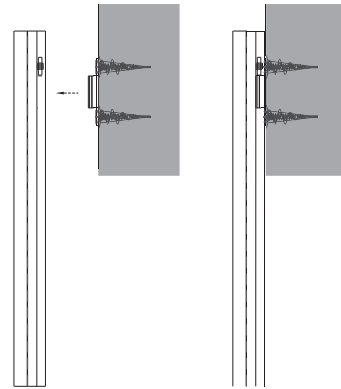
# QUANTUM 2 ANGLED 1005

## Surface Mount Installation Cont.

### Vertical Mounting Cont.

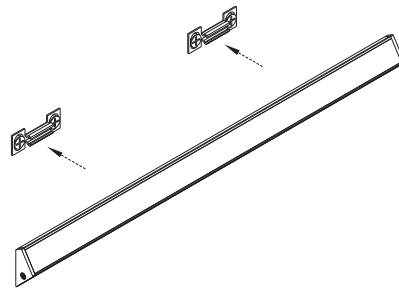
## 7 Position Channel

Position the channel so the Gravity Stop is oriented above the clip.



## 8 Attach Channel

Press and snap the Quantum Channel onto the surface mount clips.

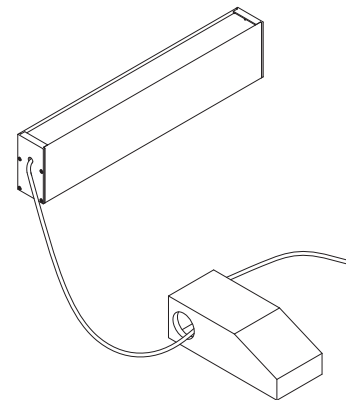


## 9 Run Low Voltage Wire to the 24v DC Driver

If the 24v DC driver is within 9-10 feet of the channel:  
The Quantum High Density Tape Light comes with 10 feet of crystal clear wire that can be wired directly to the driver.

If the 24v DC driver is 10 feet or further from the channel:  
Use at least 18 AWG low voltage wire to extend the 10 foot crystal clear wire. Wire the low voltage crystal clear wire into the 24v DC driver.

If the 24v DC driver is more than 30 feet away from the channel:  
Please contact our Design Department at 832-717-2710 or [designs@ledinspirations.com](mailto:designs@ledinspirations.com) so we may recommend the correct wire size to use.



**PRO TIP! The positive (hot) wire is marked with a white line on the crystal clear wire.**