

RGB DMX DECODER

#RGB-DMX-DECODER



Description

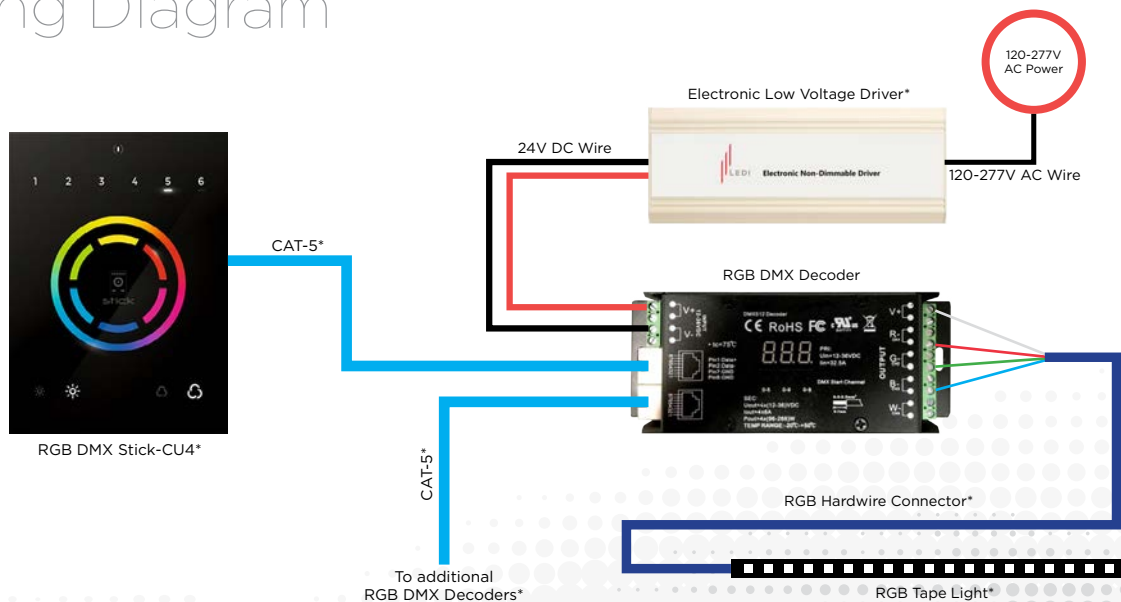
The RGB DMX Decoder is used to distribute a DMX signal from an RGB DMX controller to each run of RGB LED tape light. Multiple RGB DMX Decoders may be daisy-chained together to control more than one section of RGB LED tape light.



Specifications

Input	12-36V DC	Dimensions	2-3/8" x 6-1/2" x 1-5/16" (60mm x 165mm x 33mm)
Output Current	4 Channels, 8A per Channel	Certifications	CE RoHS FC cULus
Max Output Power	576W (at 24V)	Environment	Indoor, Dry
Weight	11.5 oz (327.4 g)	Warranty	5 Year Limited
Ports	(x2) Ethernet RJ45		

Wiring Diagram



*Items sold separately