

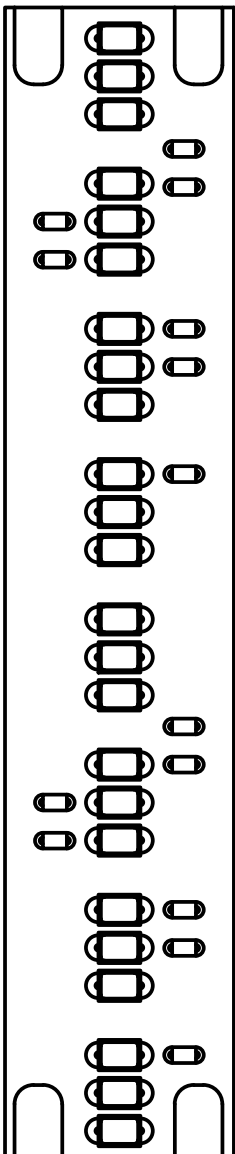


inspire

WARM DIM

LED Tape Light

Installation Instructions



INSTALLING INSPIRE CHANNEL?

If installing the Inspire LED tape light into Inspire Channel, please also consult the installation instructions that accompany the Inspire Channel.

BEFORE YOU BEGIN

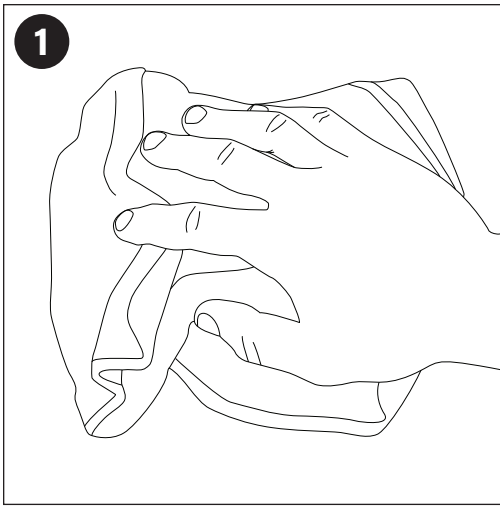
- Ensure all AC power has been shut OFF before performing this installation!
- This product should be installed and serviced by a qualified electrician.
- All LED tape light is low voltage, DC powered and must NOT be wired directly to AC power.
- The maximum run length of this LED tape light is 20-feet. Do NOT exceed the maximum run length of the LED tape light!
- Do NOT attempt any modifications or repairs on this product. If replacement parts are needed, please contact your distributor directly.
- This product has a 5-year limited warranty from the date of purchase.

HAVE QUESTIONS?

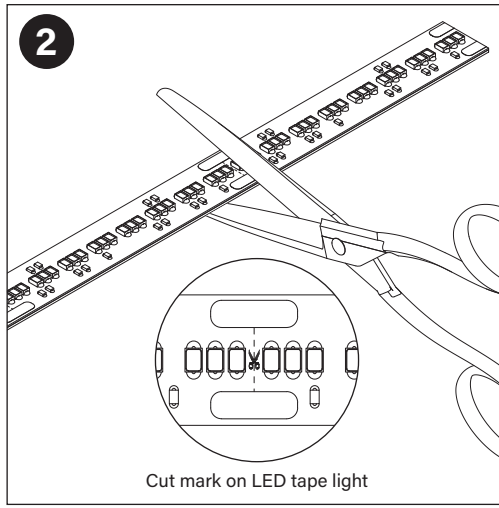
Phone: (832) 717-2710

Hours: 8am to 5pm CST (Monday - Friday)

Website: www.LEDI.LIGHTING

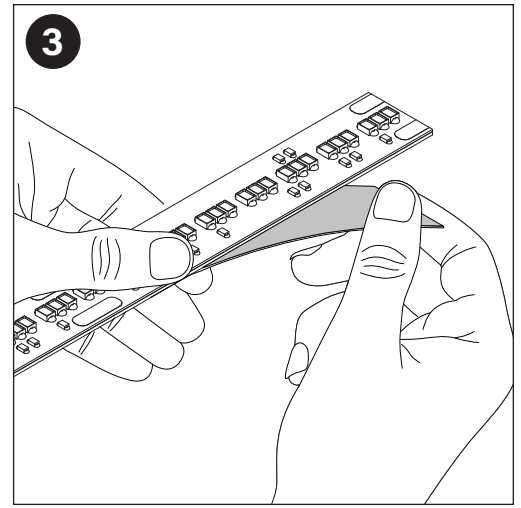


Clean the surface of your application.

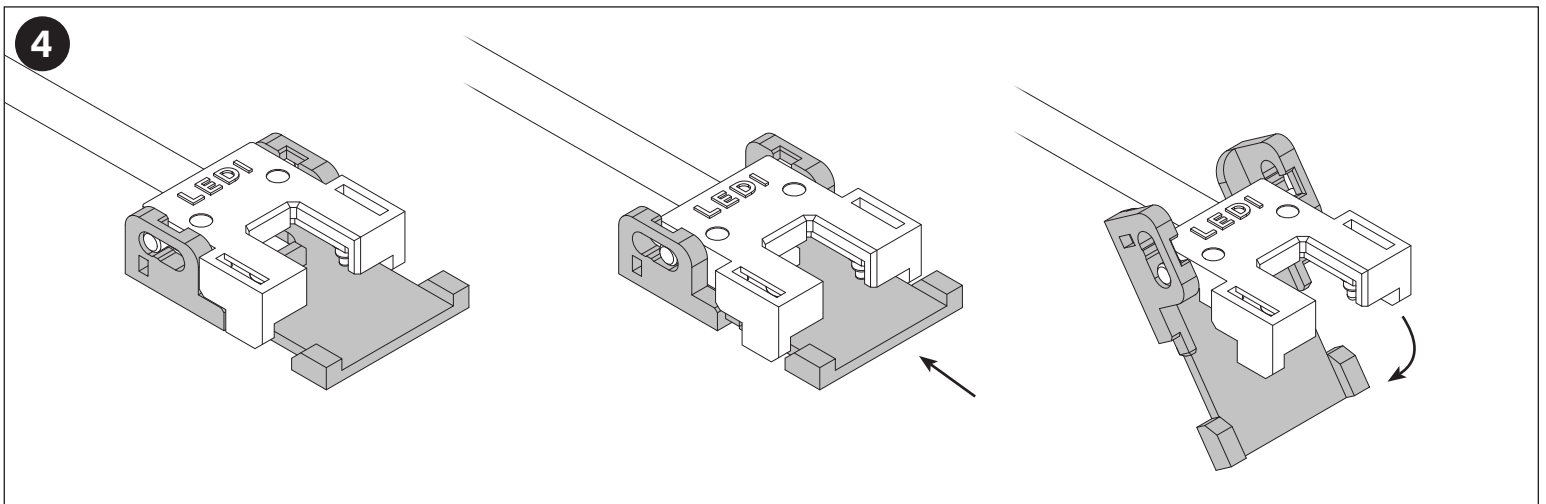


Cut mark on LED tape light

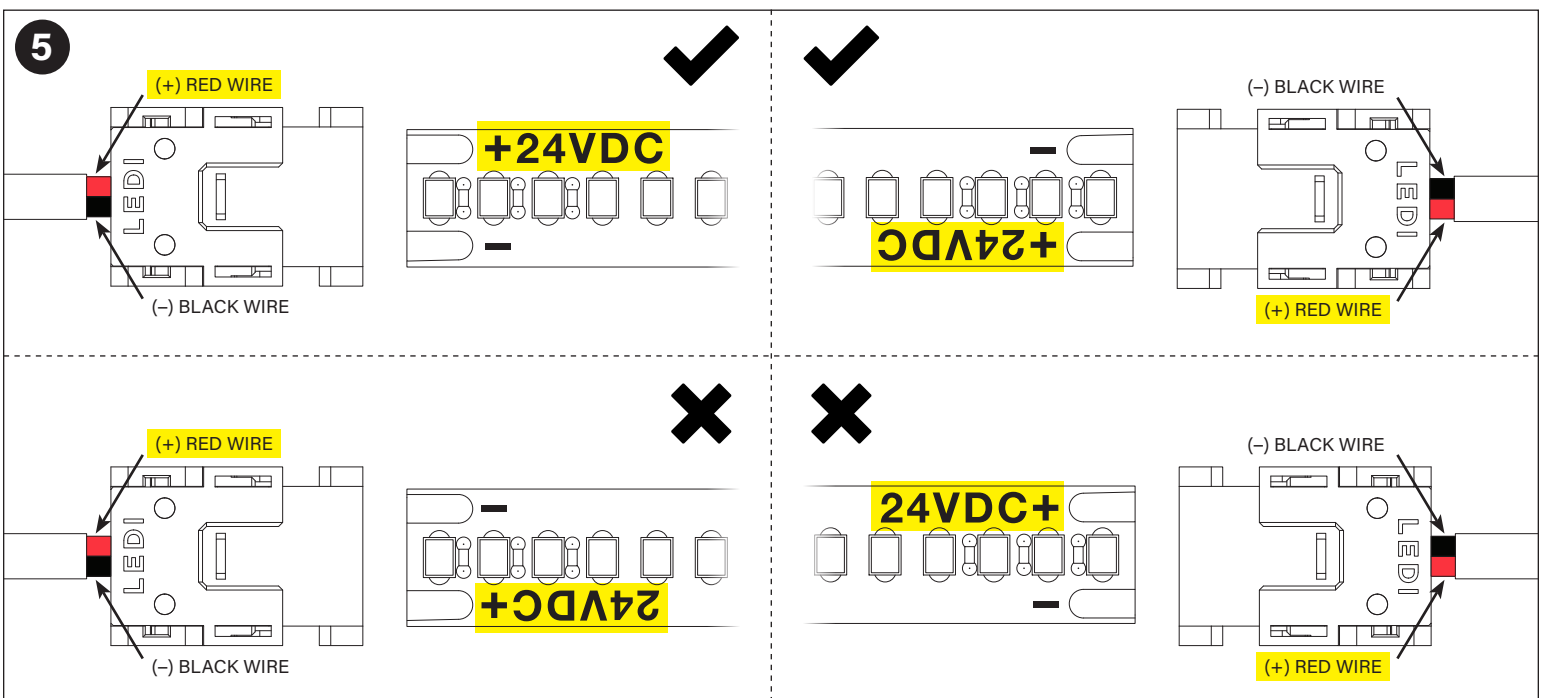
Cut the LED tape light to the desired length, at the designated cut marks only.



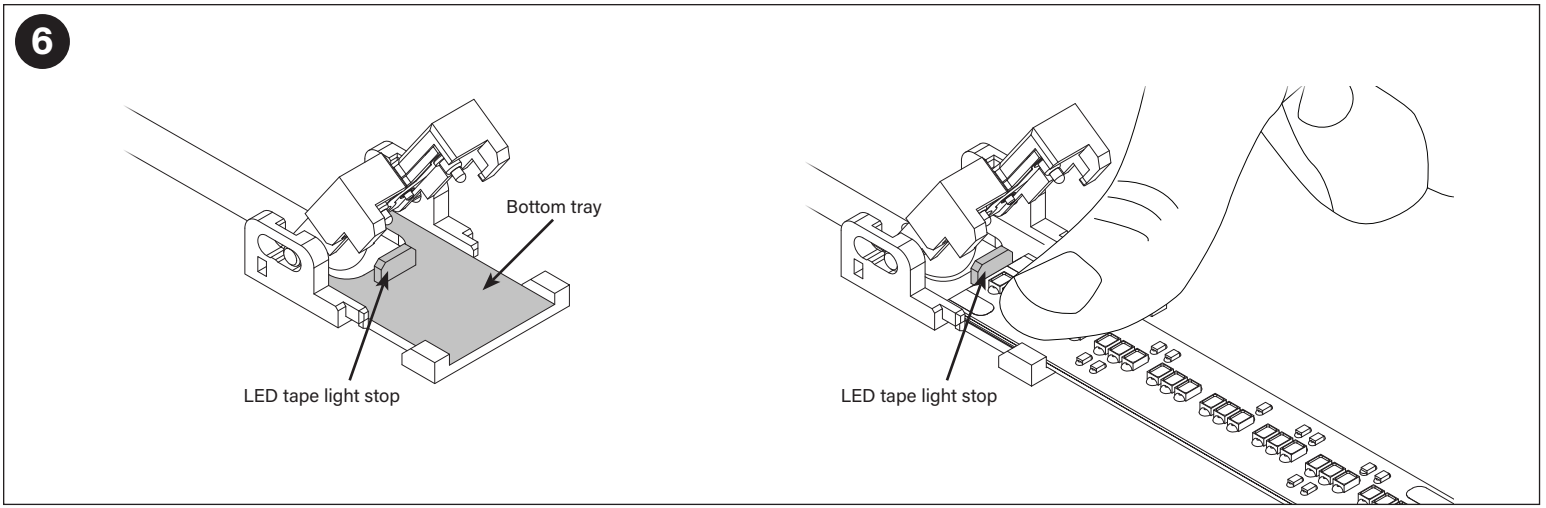
Peel back a small portion of the red 3M VHB backing to expose the adhesive.



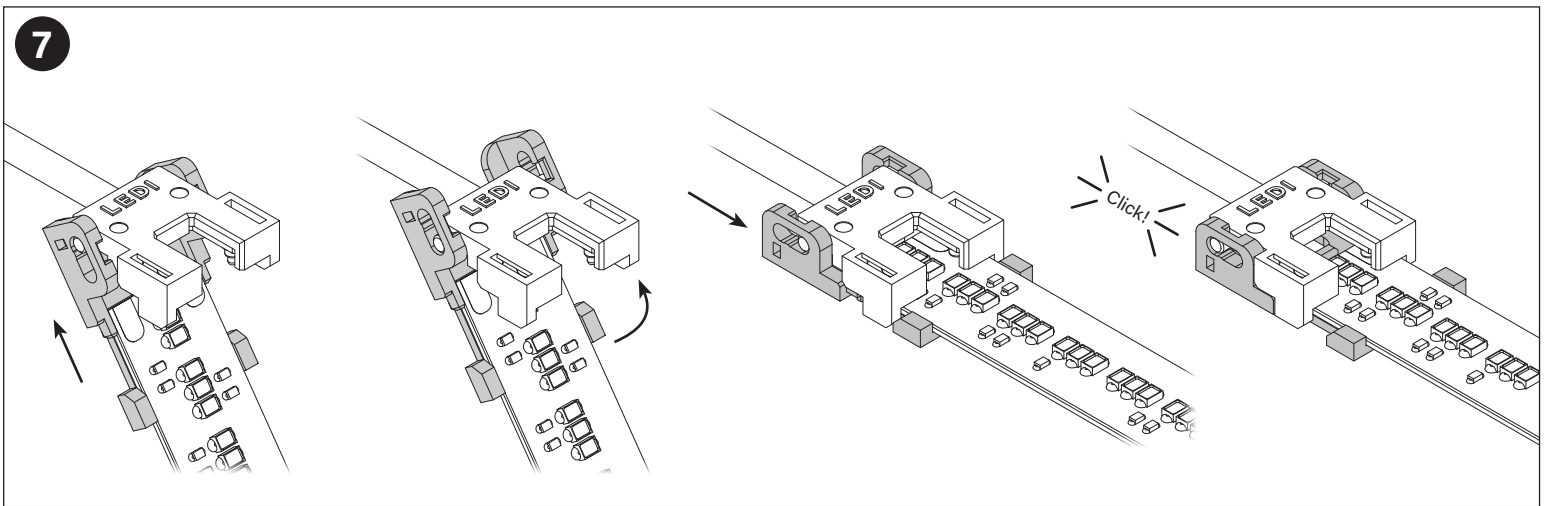
Unlock the Zeus HD Connector by sliding the bottom tray backwards.



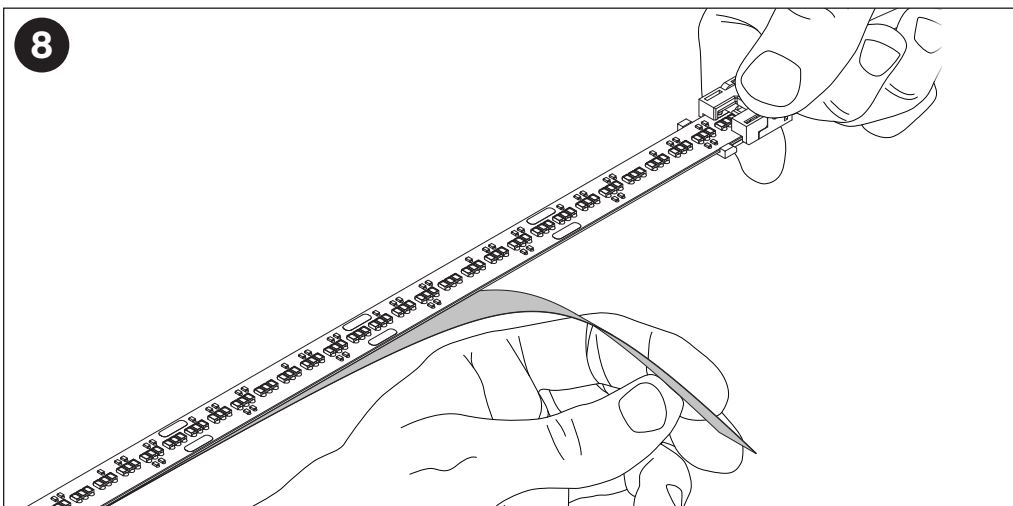
For correct polarity, align the connector with the tape light as shown. Otherwise, the LED tape light will not light when powered.



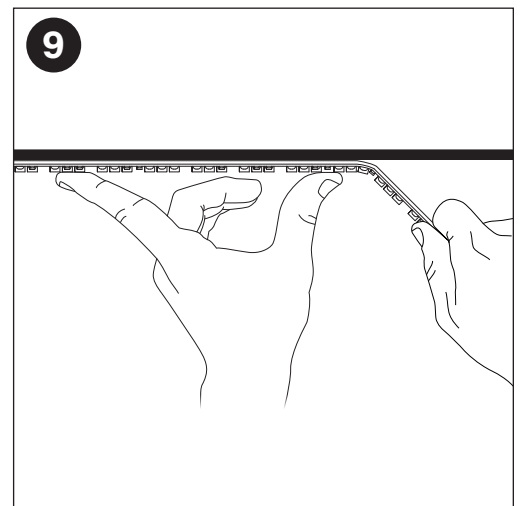
The LED tape light must be aligned with the tray and rest flush against the edge of the LED tape light stop, as pictured above. Once aligned and flush, press the LED tape light onto the bottom tray of the Zeus HD connector.



To lock the connector, slide the tray backwards, close the connector, then pull the tray forwards. You should hear and feel a slight "click" when the connector is fully locked.

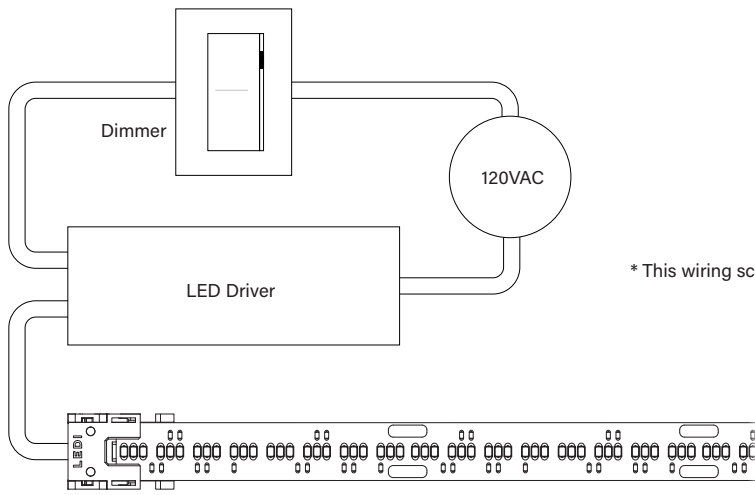


Peel off the remaining red 3M VHB backing to expose the adhesive.



Apply the LED tape light to the surface of your application.

10



Make the connections at the LED driver and dimmer. Consult the instructions for your specific LED driver and dimmer models for correct wiring schematics.

LEDI
11744 Grant Rd., Cypress, TX 77429
Phone: (832) 717-2710
8am to 5pm CST (Mon - Fri)

Information subject to change without notice.
Visit www.LEDI.LIGHTING for the latest instructions and product information
Copyright LED Inspirations, LLC 2021
Version 01222021